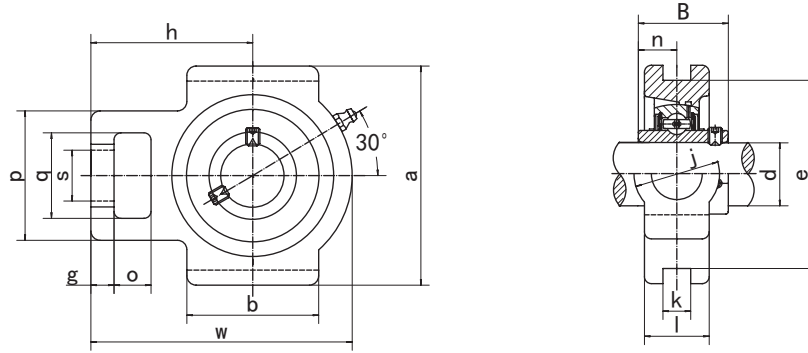


# Take-up Units

## UCT3 (Heavy-duty)



Unit NO.	Dimensions ( mm / in. )																Bearing No.	Housing No.	Weight (kg)
	d	o	g	p	q	s	b	k	e	a	w	j	l	h	B	n			
UCT305	25	16	14	62	36	26	65	12	80	89	122	36	26	76	38	15	UC305	T305	1.20
305-13	13/16																UC305-13		
305-14	7/8	5/8	9/16	2-7/16	1-13/32	1-1/32	2-9/16	0.472	3-5/32	3-1/2	4-13/16	1-13/32	1-1/32	3	1.4961	0.591	UC305-14		
305-15	15/16																UC305-15		
305-16	1																UC305-16		
UCT306	30	18	16	70	41	28	74	16	90	100	137	41	28	85	43	17	UC306	T306	1.70
306-17	1-1/16																UC306-17		
306-18	1-1/8	23/32	5/8	2-3/4	1-5/8	1-3/32	2-29/32	0.630	3-35/64	3-15/16	5-13/32	1-5/8	1-3/32	3-11/32	1.6929	0.669	UC306-18		
306-19	1-3/16																UC306-19		
UCT307	35	20	17	75	45	30	80	16	100	111	150	45	32	94	48	19	UC307	T307	2.30
307-20	1-1/4																UC307-20		
307-21	1-5/16																UC307-21		
307-22	1-3/8	12/32	43/64	2-15/16	1-25/32	1-3/16	3-5/32	0.630	3-15/16	4-3/8	5-29/32	1-25/32	1-1/4	3-11/16	1.8898	0.748	UC307-22		
307-23	1-7/16																UC307-23		
UCT308	40	22	19	83	50	32	89	18	112	124	162	50	34	100	52	19	UC308	T308	2.90
308-24	1-1/2	7/8	3/4	3-17/64	1-31/32	1-1/4	3-1/2	0.709	4-13/32	4-7/8	6-3/8	1-31/32	1-11/32	3-15/16	2.0472	0.7480	UC308-24		
308-25	1-9/16																UC308-25		
UCT309	45	24	20	90	55	34	97	18	125	138	178	55	38	110	57	22	UC309	T309	4.00
309-26	1-5/8																UC309-26		
309-27	1-11/16	15/16	25/32	3-17/32	2-5/32	1-11/32	3-13/16	0.709	4-59/64	5-7/16	7	2-5/32	1-1/2	4-11/32	2.2441	0.8660	UC309-27		
309-28	1-3/4																UC309-28		
UCT310	50	27	22	98	61	37	106	20	140	151	192	61	40	118	61	22	UC310	T310	5.00
310-29	1-13/16																UC310-29		
310-30	1-7/8	1-1/16	7/8	3-27/32	2-13/32	1-15/32	4-3/16	0.787	5-33/64	5-15/16	7-9/16	2-13/32	1-9/16	4-21/32	2.4016	0.8660	UC310-30		
310-31	1-15/16																UC310-31		
UCT311	55	29	23	105	66	39	115	22	150	163	207	66	44	127	66	25	UC311	T311	6.20
311-32	2																UC311-32		
311-33	2-1/16	1-5/32	29/32	4-1/8	2-19/32	1-17/32	4-17/32	0.866	5-29/32	6-13/32	8-5/32	2-19/32	1-23/32	5	2.5984	0.9840	UC311-33		
311-34	2-1/8																UC311-34		
311-35	2-3/16																UC311-35		
UCT312	60	31	25	113	71	41	123	22	160	178	220	71	46	135	71	26	UC312	T312	7.50
312-36	2-1/4																UC312-36		
312-37	2-5/16	1-7/32	31/32	4-7/16	2-25/32	1-5/8	4-27/32	0.866	6-19/64	7	8-21/32	2-25/32	1-13/16	5-5/16	2.7953	1.0240	UC312-37		
312-38	2-3/8																UC312-38		
312-39	2-7/16																UC312-39		
UCT313	65	32	27	116	70	43	134	26	170	190	238	80	50	146	75	30	UC313	T313	9.30
313-40	2-1/2	1-17/64	1-1/16	4-9/16	2-3/4	1-11/16	5-9/32	1.024	6-11/16	7-15/32	9-3/8	3-5/32	1-31/32	5-3/4	2.9528	1.1810	UC313-40		
313-41	2-9/16																UC313-41		
UCT314	70	36	27	130	85	46	140	26	180	202	252	90	52	155	78	33	UC314	T314	10.90
314-42	2-5/8																UC314-42		
314-43	2-11/16	1-13/32	1-1/16	5-1/8	3-11/32	1-13/16	5-1/2	1.024	7-3/32	7-15/16	9-29/32	3-17/32	2-1/16	6-3/32	3.0708	1.2990	UC314-43		
314-44	2-3/4																UC314-44		
UCT315	75	36	27	132	85	46	150	26	192	216	262	90	55	160	82	32	UC315	T315	12.70
315-45	2-13/16																UC315-45		
315-46	2-7/8	1-13/32	1-1/16	5-3/16	3-11/32	1-13/16	5-29/32	1.024	7-9/16	8-1/2	10-5/16	3-17/32	2-5/32	6-5/16	3.2283	1.2600	UC315-46		
315-47	2-15/16																UC315-47		
315-48	3																UC315-48		
UCT316	80	42	30	150	98	53	160	30	204	230	282	102	60	174	86	34	UC316	T316	15.80
316-49	3-1/16																UC316-49		
316-50	3-1/8	1-21/32	1-3/16	5-29/32	3-27/32	2-3/32	6-5/16	1.181	8-1/32	9-1/16	11-3/32	4-1/32	2-3/8	6-27/32	3.3858	1.2600	UC316-50		
316-51	3-3/16																UC316-51		
UCT317	85	42	32	152	98	53	170	32	214	240	298	102	64	183	96	40	UC317	T317	18.60
317-52	3-1/4																UC317-52		
317-53	3-5/16	1-21/32	1-1/4	5-31/32	3-27/32	2-3/32	6-11/16	1.260	8-27/64	9-7/16	11-23/32	4-1/32	2-17/32	7-7/32	3.7795	1.5750	UC317-53		
317-55	3-7/16																UC317-55		
UCT318	90	46	32	160	106	57	175	32	228	255	312	110	66	192	96	40	UC318	T318	21.00
318-55	3-7/16	1-13/16	1-1/4	6-5/16	4-3/16	2-1/4	6-7/8	1.260	8-31/32	10-1/32	12-9/32	4-11/32	2-19/32	7-9/16	3.7795	1.5750	UC318-55		
318-56	3-1/2																UC318-56		
UCT319	95	46	33	165	106	57	180	35	240	270	322	110	72	197	103	41	UC319	T319	24.60
319-58	3-5/8																UC319-58		
319-59	3-11/16	1-13/16	1-5/16	6-1/2	4-3/16	2-1/4	7-3/32	1.378	9-29/64	10-5/8	12-11/16	4-11/32	2-27/32	7-3/4	4.0551	1.6140	UC319-59		
317-60	3-3/4																UC317-60		
UCT320	100	48	32	175	115	59	200	35	260	290	345	120	75	210	108	42	UC320	T320	29.90
320-64	4	1-7/8	1-1/4	6-7/8	4-17/32	2-21/64	7-7/8	1.378	10-15/64	11-13/32	13-19/32	4-23/32	2-15/16	8-9/32	4.2519	1.6535	UC320-64		
UCT322	110	52	38	185	125	65	215	38	285	320	385	130	80	235	117	46	UC322	T322	39.40
		2-1/16	1-1/2	7-9/32	4-29/32	2-9/16	8-15/32	1.496	11-7/32	12-19/32	15-5/32	5-1/8	3-5/32	9-1/4	4.6063	1.8110			
UCT324	120	60	42	210	140	70	230	45	320	355	432	140	90	267	126	51	UC324	T324	54.20
		2-3/8	1-21/32	8-9/32	5-1/2	2-3/4	9-1/16	1.772	12-19/32	13-31/32	17	5-1/2	3-17/32	10-1/2	4.9606	2.0079			
UCT326	130	65	45	220	150	75	240	50	350	385	465	150	100	285	135	54	UC326	T326	68.40
		2-9/16	1-25/32	8-21/32	5-29/32	2-31/32	9-7/16	1.969	13-25/32	15-5/32	18-5/16	5-29/32	3-15/16	11-7/32	5.3150	2.1260			
UCT328	140	70	50	230	160	80	255	50	380	415	515	155	100	315	145	59	UC328	T328	82.90
		2-3/4	1-31/32	9-1/16	6-5/16	3-5/32	10-1/32	1.969	14-61/64	16-11/32	20								