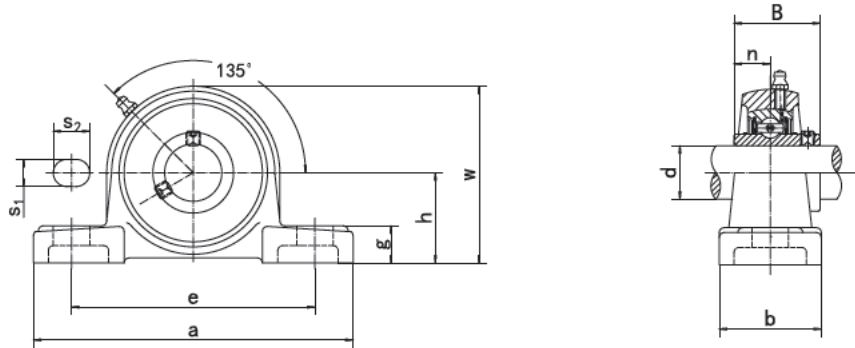


# Pillow Blocks

## UCPX (Medium-duty)



Unit NO.	Dimensions ( mm / in. )											Bolt Size mm/in.	Bearing No.	Housing No.	Weight (kg)
	d	h	a	e	b	s <sub>1</sub>	s <sub>2</sub>	g	w	B	n				
<b>UCPX05</b> X05-13 X05-14 X05-15 X05-16	25 13/16 7/8 15/16 1	44.4 1-3/4	159 6-1/4	119 4-11/16	51 2	17 43/64	20 25/32	18 23/32	85 3-11/32	38.1 1.5000	15.9 0.626	M14 1/2	<b>UCX05</b> UCX05-13 UCX05-14 UCX05-15 UCX05-16	PX05	1.33
<b>UCPX06</b> X06-17 X06-18 X06-19 X06-20	30 1-1/16 1-1/8 1-3/16 1-1/4	47.6 1-7/8	175 6-7/8	127 5	57 2-1/4	17 43/64	20 25/32	20 25/32	93 3-21/32	42.9 1.6890	17.5 0.689	M14 1/2	<b>UCX06</b> UCX06-17 UCX06-18 UCX06-19 UCX06-20	PX06	1.71
<b>UCPX07</b> X07-21 X07-22 X07-23	35 1-5/16 1-3/8 1-7/16	54.0 2-1/8	203 8	144 5-21/32	57 2-1/4	17 43/64	20 25/32	21 13/16	105 4-1/8	49.2 1.9370	19 0.748	M14 1/2	<b>UCX07</b> UCX07-21 UCX07-22 UCX07-23	PX07	2.30
<b>UCPX08</b> X08-24 X08-25	40 1-1/2 1-9/16	58.7 2-5/16	222 8-3/4	156 6-5/32	67 2-5/8	20 25/32	23 29/32	26 1-1/32	111 4-3/8	49.2 1.9370	19 0.748	M16 5/8	<b>UCX08</b> UCX08-24 UCX08-25	PX08	2.84
<b>UCPX09</b> X09-26 X09-27 X09-28 X09-29	45 1-5/8 1-11/16 1-3/4 1-13/16	58.7 2-5/16	222 8-3/4	156 6-5/32	67 2-5/8	20 25/32	23 29/32	26 1-1/32	116 4-9/16	51.6 2.0315	19 0.748	M16 5/8	<b>UCX09</b> UCX09-26 UCX09-27 UCX09-28 UCX09-29	PX09	3.20
<b>UCPX10</b> X10-30 X10-31 X10-32	50 1-7/8 1-15/16 2	63.5 2-1/2	241 9-1/2	171 6-47/64	73 2-7/8	20 25/32	23 29/32	27 1-1/16	126 4-31/32	55.6 2.1890	22.2 0.874	M16 5/8	<b>UCX10</b> UCX10-30 UCX10-31 UCX10-32	PX10	4.07
<b>UCPX11</b> X11-33 X11-34 X11-35 X11-36 X11-37	55 2-1/16 2-1/8 2-3/16 2-1/4 2-5/16	69.8 2-3/4	260 10-1/4	184 7-1/4	79 3-1/8	25 31/32	28 1-3/32	30 1-3/16	137 5-13/32	65.1 2.5630	25.4 1.000	M20 3/4	<b>UCX11</b> UCX11-33 UCX11-34 UCX11-35 UCX11-36 UCX11-37	PX11	5.18
<b>UCPX12</b> X12-38 X12-39	60 2-3/8 2-7/16	76.2 3	286 11-1/4	203 8	83 3-9/32	25 31/32	28 1-3/32	33 1-5/16	151 5-15/16	65.1 2.5630	25.4 1.000	M20 3/4	<b>UCX12</b> UCX12-38 UCX12-39	PX12	6.67
<b>UCPX13</b> X13-40 X13-41	65 2-1/2 2-9/16	76.2 3	286 11-1/4	203 8	83 3-9/32	25 63/64	28 1-3/32	33 1-5/16	154 6-1/16	74.6 2.9370	30.2 1.189	M20 3/4	<b>UCX13</b> UCX13-40 UCX13-41	PX13	6.92
<b>UCPX14</b> X14-42 X14-43 X14-44	70 2-5/8 2-11/16 2-3/4	88.9 3-1/2	330 13	229 9-1/32	89 3-1/2	27 1-1/16	30 1-3/16	35 1-3/8	170 6-11/16	77.8 3.0630	33.3 1.311	M22 7/8	<b>UCX14</b> UCX14-42 UCX14-43 UCX14-44	PX14	8.64
<b>UCPX15</b> X15-45 X15-46 X15-47 X15-48	75 2-13/16 2-7/8 2-15/16 3	88.9 3-1/2	330 13	229 9-1/32	89 3-1/2	27 1-1/16	30 1-3/16	35 1-3/8	175 6-7/8	82.6 3.2520	33.3 1.311	M22 7/8	<b>UCX15</b> UCX15-45 UCX15-46 UCX15-47 UCX15-48	PX15	9.40
<b>UCPX16</b> X16-49 X16-50 X16-51 X16-52	80 3-1/16 3-1/8 3-3/16 3-1/4	101.6 4	381 15	283 11-5/32	102 4-1/32	27 1-1/16	30 1-3/16	40 1-9/16	194 7-5/8	85.7 3.3740	34.1 1.343	M22 7/8	<b>UCX16</b> UCX16-49 UCX16-50 UCX16-51 UCX16-52	PX16	13.4
<b>UCPX17</b> X17-53 X17-55	85 3-5/16 3-7/16	101.6 4	381 15	283 11-5/32	102 4-1/32	27 1-1/16	30 1-3/16	40 1-9/16	200 7-7/8	96 3.7795	39.7 1.563	M22 7/8	<b>UCX17</b> UCX17-53 UCX17-55	PX17	14.6
<b>UCPX18</b> X18-56	90 3-1/2	101.6 4	381 15	283 11-5/32	111 4-3/8	27 1-1/16	30 1-3/16	40 1-37/64	206 8-7/64	104.0 4.0945	42.9 1.6890	M22 7/8	<b>UCX18</b> UCX18-56	PX18	16.5
<b>UCPX20</b> X20-64	100 4	127.0 5	432 17	337 13-9/32	121 4-3/4	33 1-5/16	36 1-27/64	45 1-25/32	244 9-39/64	117.5 4.6260	49.2 1.9370	M27 1	<b>UCX20</b> UCX20-64	PX20	24.9