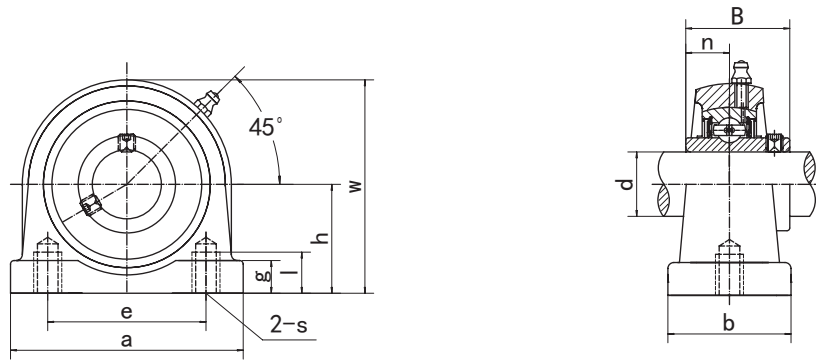


Pillow Blocks

UCPW2 (Normal-duty)



Unit NO.	Dimensions (mm / in.)											Bolt Size mm/in.	Bearing No.	Housing No.	Weight (kg)
	d	h	a	e	b	s	l	g	w	B	n				
UCSPW201 201-8	12 1/2	30.2	63.0	47.0	30		10	11.0	57.0	27.4	11.5		UCS201 UCS201-8	PW201	0.48 0.47
UCSPW202 202-9 202-10	15 9/16 5/8	1-3/16	2-31/64	1-27/32	1-3/16	M8	25/64	7/16	2-1/4	1 0787	0 4528	M8	UCS202 UCS202-9 UCS202-10	PW202	0.47 0.47 0.47
UCSPW203 203-11	17 11/16												UCS203 UCS203-11	PW203	0.46 0.45
UCPW204 204-12	20 3/4	33.3 1-5/16	65.0 2-9/16	50.8 2	32 1-17/64	M8	15 19/32	14.5 37/64	64 2-33/64	31.0 1 2205	12.7 0 500	M8	UC204 UC204-12	PW204	0.49 0.49
UCPW205 205-13 205-14 205-15 205-16	25 13/16 7/8 15/16 1	36.5 1-7/16	70.0 2-3/4	50.8 2	36 1-27/64	M10	15 19/32	13.0 33/64	70.0 2-3/4	34.1 1 3425	14.3 0 563	M10	UC205 UC205-13 UC205-14 UC205-15 UC205-16	PW205	0.59 0.63 0.62 0.60 0.59
UCPW206 206-17 206-18 206-19 206-20	30 1-1/16 1-1/8 1-3/16 1-1/4	42.9 1-11/16	98.0 3-55/64	76.2 3	40 1-37/64	M10	18 45/64	16.0 5/8	82.0 3-15/64	38.1 1 5000	15.9 0 626	M10	UC206 UC206-17 UC206-18 UC206-19 UC206-20	PW206	1.11 1.12 1.13 1.11 1.10
UCPW207 207-20 207-21 207-22 207-23	35 1-1/4 1-5/16 1-3/8 1-7/16	47.6 1-7/8	103.0 4-1/16	82.6 3-1/4	45 1-49/64	M10	20 25/32	19.0 3/4	93.0 3-21/32	42.9 1 6890	17.5 0 689	M10	UC207 UC207-20 UC207-21 UC207-22 UC207-23	PW207	1.44 1.50 1.47 1.44 1.41
UCPW208 208-24 208-25	40 1-1/2 1-9/16	49.2 1-15/16	116.0 4-9/16	88.9 3-1/2	48 1-57/64	M12	20 25/32	19.0 3/4	99.0 3-57/64	49.2 1 9370	19.0 0 748	M12	UC208 UC208-24 UC208-25	PW208	1.76 1.80 1.77
UCPW209 209-26 209-27 209-28	45 1-5/8 1-11/16 1-3/4	53.9 2-1/8	120.0 4-23/32	95.3 3-3/4	48 1-57/64	M12	25 63/64	19.0 3/4	107.0 4-7/32	49.2 1 9370	19.0 0 748	M12	UC209 UC209-26 UC209-27 UC209-28	PW209	1.99 2.09 2.05 2.01
UCPW210 210-29 210-30 210-31 210-32	50 1-13/16 1-7/8 1-15/16 2	57.2 2-1/4	135.0 5-5/16	101.6 4	54 2-1/8	M16	25 63/64	22.0 55/64	115.0 4-17/32	51.6 2 0315	19.0 0 748	M16	UC210 UC210-29 UC210-30 UC210-31 UC210-32	PW210	2.64 2.76 2.71 2.66 2.62