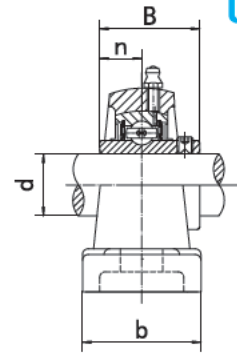
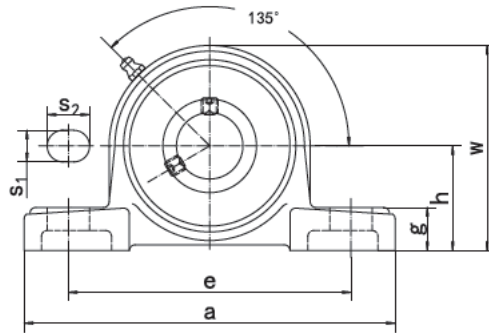


Pillow Blocks

UCP3 (Heavy-duty)



Unit NO.	Dimensions (mm / in.)											Bolt Size mm/in.	Bearing No.	Housing No.	Weight (kg)
	d	h	a	e	b	s1	s2	g	w	B	n				
UCP305	25	45	175	132	45	17	20	15	85	38	15	M14	UC305	P305	1.27
305-13	13/16												UC305-13		1.32
305-14	7/8	1-49/64	6-7/8	5-3/16	1-25/32	43/64	25/32	19/32	3-11/32	1.4961	0.591	1/2	UC305-14		1.30
305-15	15/16												UC305-15		1.28
305-16	1												UC305-16		1.27
UCP306	30	50	180	140	50	17	20	18	95	43	17	M14	UC306	P306	1.73
306-17	1-1/16												UC306-17		1.79
306-18	1-1/8	1-31/32	7-3/32	5-1/2	1-31/32	43/64	25/32	23/32	3-3/4	1.6929	0.669	1/2	UC306-18		1.76
306-19	1-3/16												UC306-19		1.74
UCP307	35	56	210	160	56	17	25	20	106	48	19	M14	UC307	P307	2.38
307-20	1-1/4												UC307-20		2.44
307-21	1-5/16	1-13/64	8-9/32	6-5/16	2-13/64	43/64	31/32	25/32	4-3/16	1.8898	0.748	1/2	UC307-21		2.41
307-22	1-3/8												UC307-22		2.38
307-23	1-7/16												UC307-23		2.35
UCP308	40	60	220	170	60	17	27	22	116	52	19	M14	UC308	P308	3.08
308-24	1-1/2	2-23/64	8-21/32	6-11/16	2-3/8	43/64	1-11/16	7/8	4-9/16	2.0472	0.748	1/2	UC308-24		3.12
308-25	1-9/16												UC308-25		3.08
UCP309	45	67	245	190	67	20	30	24	129	57	22	M16	UC309	P309	4.17
309-26	1-5/8												UC309-26		4.27
309-27	1-11/16	2-41/64	9-21/32	7-15/32	2-5/8	25/32	1-3/16	15/16	5-3/32	2.2441	0.866	5/8	UC309-27		4.23
309-28	1-3/4												UC309-28		4.18
UCP310	50	75	275	212	75	20	35	27	143	61	22	M16	UC310	P310	5.69
310-29	1-13/16												UC310-29		6.03
310-30	1-7/8	2-61/64	10-13/16	8-11/32	2-15/16	25/32	1-3/8	1-1/16	5-5/8	2.4016	0.866	5/8	UC310-30		5.78
310-31	1-15/16												UC310-31		5.72
UCP311	55	80	310	236	80	20	38	30	154	66	25	M16	UC311	P311	7.24
311-32	2												UC311-32		7.42
311-33	2-1/16	3-5/32	12-7/32	9-9/32	3-5/32	25/32	1-1/2	1-3/16	6-1/16	2.5984	0.984	5/8	UC311-33		7.35
311-34	2-1/8												UC311-34		7.29
311-35	2-3/16												UC311-35		7.21
UCP312	60	85	330	250	85	25	38	32	165	71	26	M20	UC312	P312	8.88
312-36	2-1/4												UC312-36		9.03
312-37	2-5/16	3-11/32	13	9-27/32	3-11/32	31/32	1-1/2	1-1/4	6-1/2	2.7953	1.024	3/4	UC312-37		8.95
312-38	2-3/8												UC312-38		8.86
312-39	2-7/16												UC312-39		8.78
UCP313	65	90	340	260	90	25	38	33	176	75	30	M20	UC313	P313	10.51
313-40	2-1/2	3-35/64	13-3/8	10-1/4	3-17/32	31/32	1-1/2	1-5/16	6-15/16	2.9528	1.181	3/4	UC313-40		10.59
313-41	2-9/16												UC313-41		10.49
UCP314	70	95	360	280	90	27	40	35	187	78	33	M22	UC314	P314	12.04
314-42	2-5/8												UC314-42		12.26
314-43	2-11/16	3-47/64	14-3/16	11-1/32	3-17/32	1-1/16	1-9/16	1-3/8	7-3/8	3.0708	1.299	7/8	UC314-43		12.15
314-44	2-3/4												UC314-44		12.05
UCP315	75	100	380	290	100	27	40	35	198	82	32	M22	UC315	P315	14.51
315-45	2-13/16												UC315-45		14.78
315-46	2-7/8	3-15/16	14-31/32	11-13/32	3-15/16	1-1/16	1-9/16	1-3/8	7-25/32	3.2283	1.260	7/8	UC315-46		14.64
315-47	2-15/16												UC315-47		14.55
315-48	3												UC315-48		14.42
UCP316	80	106	400	300	110	27	40	40	210	86	34	M22	UC316	P316	17.59
316-49	3-1/16												UC316-49		17.76
316-50	3-1/8	4-11/64	15-3/4	11-13/16	4-11/32	1-1/16	1-9/16	1-9/16	8-9/32	3.3858	1.339	7/8	UC316-50		17.62
316-51	3-3/16												UC316-51		17.53
UCP317	85	112	420	320	110	33	45	40	220	96	40	M27	UC317	P317	19.36
317-52	3-1/4												UC317-52		19.58
317-53	3-5/16	4-13/32	16-17/32	12-19/32	4-11/32	1-5/16	1-25/32	1-9/16	8-21/32	3.7795	1.575	1	UC317-53		19.55
317-55	3-7/16												UC317-55		19.33
UCP318	90	118	430	330	110	33	45	45	235	96	40	M27	UC318	P318	22.47
318-55	3-7/16	4-41/64	16-15/16	13	4-11/32	1-5/16	1-25/32	1-25/32	9-1/4	3.7795	1.575	1	UC318-56		22.76
318-56	3-1/2												UC318-56		22.58
UCP319	95	125	470	360	120	36	50	45	250	103	41	M30	UC319	P319	27.84
319-58	3-5/8												UC319-58		28.17
319-59	3-11/16	4-59/64	18-1/2	14-3/16	4-23/32	1-13/32	1-31/32	1-25/32	9-27/32	4.0551	1.614	1-1/8	UC319-59		27.99
319-60	3-3/4												UC319-60		27.80
UCP320	100	140	490	380	120	36	50	50	275	108	42	M30	UC320	P320	33.76
320-64	4	5-33/64	19-9/32	14-31/32	4-23/32	1-13/32	1-31/32	1-31/32	10-53/64	4.252	1.6536	1-1/8	UC320-64		33.56
UCP322	110	150	520	400	140	40	55	55	300	117	46	M33	UC322	P322	45.25
UCP324	120	160	570	450	140	40	55	65	320	126	51	M33	UC324	P324	54.97
UCP326	130	180	600	480	140	40	55	75	355	135	54	M33	UC326	P326	71.48
UCP328	140	200	620	500	140	40	55	75	390	145	59	M33	UC328	P328	87.48