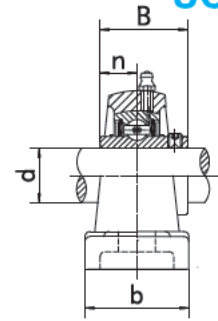
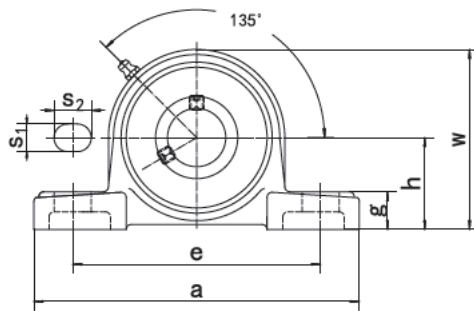


# Pillow Blocks

## UCLP2 (Normal-duty)



Unit NO.	Dimensions ( mm / in. )											Bolt Size mm/in.	Bearing No.	Housin g No.	Weight (kg)
	d	h	a	e	b	s <sub>1</sub>	s <sub>2</sub>	g	w	B	n				
UCLP201 201-8	12 1/2	31.75 1-1/4	127 5	95 3-3/4	38 1-1/2	13 1/2	16 5/8	14 9/16	64 2-33/64	31 1.2205	12.7 0.500	M10 3/8	UC201 UC201-8	LP201	0.69 0.68
UCLP202 202-9 202-10	15 9/16 5/8	31.75 1-1/4	127 5	95 3-3/4	38 1-1/2	13 1/2	16 5/8	14 9/16	64 2-33/64	31 1.2205	12.7 0.500	M10 3/8	UC202 UC202-9 UC202-10	LP202	0.68 0.68 0.68
UCLP203 203-11	17 11/16	31.75 1-1/4	127 5	95 3-3/4	38 1-1/2	13 1/2	16 5/8	14 9/16	64 2-33/64	31 1.2205	12.7 0.500	M10 3/8	UC203 UC203-11	LP203	0.67 0.66
UCLP204 204-12	20 3/4	31.75 1-1/4	127 5	95 3-3/4	38 1-1/2	13 1/2	16 5/8	14 9/16	64 2-33/64	31 1.2205	12.7 0.500	M10 3/8	UC204 UC204-12	LP204	0.65 0.65
UCLP205 205-13 205-14 205-15 205-16	25 13/16 7/8 15/16 1	33.34 1-5/16	140 5-1/2	105 4-1/8	38 1-1/2	13 1/2	16 5/8	15 19/32	68 2-43/64	34.1 1.3425	14.3 0.563	M10 3/8	UC205 UC205-13 UC205-14 UC205-15 UC205-16	LP205	0.74 0.78 0.77 0.75 0.74
UCLP206 206-17 206-18 206-19 206-20	30 1-1/16 1-1/8 1-3/16 1-1/4	39.69 1-9/16	160 6-19/64	121 4-3/4	44 1-47/64	17 43/64	20 25/32	17 21/32	80 3-5/32	38.1 1.5000	15.9 0.626	M14 1/2	UC206 UC206-17 UC206-18 UC206-19 UC206-20	LP206	1.11 1.12 1.13 1.11 1.10
UCLP207 207-20 207-21 207-22 207-23	35 1-1/4 1-5/16 1-3/8 1-7/16	46.04 1-13/16	167 6-9/16	127 5	48 1-7/8	17 43/64	20 25/32	18 45/64	91 3-37/64	42.9 1.6890	17.5 0.689	M14 1/2	UC207 UC207-20 UC207-21 UC207-22 UC207-23	LP207	1.42 1.48 1.45 1.42 1.39
UCLP208 208-24 208-25	40 1-1/2 1-9/16	49.2 1-15/16	184 7-1/4	137 5-13/32	54 2-1/8	17 43/64	20 25/32	18 45/64	100 3-15/16	49.2 1.9370	19 0.748	M14 1/2	UC208 UC208-24 UC208-25	LP208	1.87 1.91 1.88
UCLP209 209-26 209-27 209-28	45 1-5/8 1-11/16 1-3/4	52.39 2-1/16	190 7-15/32	146 5-3/4	54 2-1/8	17 43/64	20 25/32	20 25/32	104 4-3/32	49.2 1.9370	19 0.748	M14 1/2	UC209 UC209-26 UC209-27 UC209-28	LP209	2.03 2.13 2.09 2.05
UCLP210 210-29 210-30 210-31 210-32	50 1-13/16 1-7/8 1-15/16 2	55.56 2-3/16	206 8-1/8	159 6-1/4	60 2-3/8	20 25/32	23 29/32	21 53/64	112 4-13/32	51.6 2.0315	19.0 0.748	M16 5/8	UC210 UC210-29 UC210-30 UC210-31 UC210-32	LP210	2.60 2.72 2.67 2.62 2.58
UCLP211 211-32 211-33 211-34 211-35	55 2 2-1/16 2-1/8 2-3/16	61.91 2-7/16	219 8-5/8	171 6-47/64	60 2-3/8	20 25/32	23 29/32	23 29/32	124 4-7/8	55.6 2.1890	22.2 0.874	M16 5/8	UC211 UC211-32 UC211-33 UC211-34 UC211-35	LP211	3.22 3.37 3.31 3.27 3.20
UCLP212 212-36 212-37 212-38 212-39	60 2-1/4 2-5/16 2-3/8 2-7/16	68.26 2-11/16	241 9-1/2	184 7-1/4	70 2-3/4	20 25/32	23 29/32	25 63/64	136 5-23/64	65.1 2.5630	25.4 1.000	M16 5/8	UC212 UC212-36 UC212-37 UC212-38 UC212-39	LP212	4.39 4.52 4.44 4.37 4.30