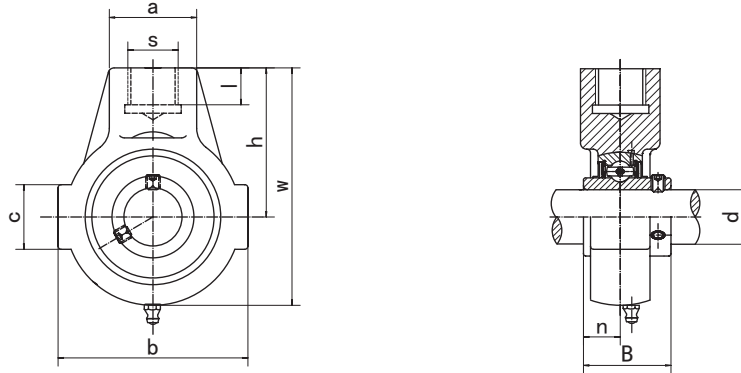


Screw Conveyor Hanger Units

UCHE2 (Normal-duty)



Unit NO.	Dimensions (mm / in.)										Bearing No.	Housing No.	Weight (kg)
	d	h	w	b	c	a	s	l	B	n			
UCHE201 201-8	12 1/2	58	91	65	38	30	M16	21	31	12.7	UC201	HE201	0.61
UCHE202 202-9 202-10	15 9/16 5/8										UC201-8		0.60
UCHE203 203-11	17 11/16										UC202		0.60
UCHE204 204-12	20 3/4										UC202-9		0.60
		2-9/32	3-37/64	2-9/16	1-1/2	1-3/16		53/64	1 2205	0 500	UC202-10		0.60
											UC203	HE203	0.59
											UC203-11		0.58
											UC204	HE204	0.57
											UC204-12		0.57
UCHE205 205-13 205-14 205-15 205-16	25 13/16 7/8 15/16 1	64	99	70	38	35	M20	22	34.1	14.3	UC205	HE205	0.71
											UC205-13		0.75
											UC205-14		0.74
											UC205-15		0.72
		2-33/64	3-57/64	2-3/4	1-1/2	1-3/8		55/64	1 3425	0 563	UC205-16		0.71
UCHE206 206-17 206-18 206-19 206-20	30 1-1/16 1-1/8 1-3/16 1-1/4	72	114	85	40	40	M24	24	38.1	15.9	UC206	HE206	1.10
											UC206-17		1.11
											UC206-18		1.12
											UC206-19		1.10
		2-53/64	4-31/64	3-11/32	1-37/64	1-37/64		15/16	1 5000	0 626	UC206-20		1.09
UCHE207 207-20 207-21 207-22 207-23	35 1-1/4 1-5/16 1-3/8 1-7/16	76	122	90	40	40	M24	24	42.9	17.5	UC207	HE207	1.23
											UC207-20		1.29
											UC207-21		1.26
											UC207-22		1.23
		3	4-51/64	3-35/64	1-37/64	1-37/64		15/16	1 6890	0 689	UC207-23		1.20
UCHE208 208-24 208-25	40 1-1/2 1-9/16	85	135	100	45	40	M24	24	49.2	19	UC208	HE208	1.58
											UC208-24		1.62
											UC208-25		1.59
											3-11/32		5-5/16
UCHE209 209-26 209-27 209-28	45 1-5/8 1-11/16 1-3/4	90.0	145	110	46	40	M24	24	49.2	19	UC209	HE209	1.97
											UC209-26		2.07
											UC209-27		2.03
											UC209-28		1.99
UCHE210 210-29 210-30 210-31 210-32	50 1-13/16 1-7/8 1-15/16 2	90.0	145	110	46	40	M24	24	51.6	19	UC210	HE210	1.88
											UC210-29		2.00
											UC210-30		1.95
											UC210-31		1.90
		3-35/64	5-45/64	4-21/64	1-13/16	1-37/64		15/16	2 0315	0 748	UC210-32		1.86