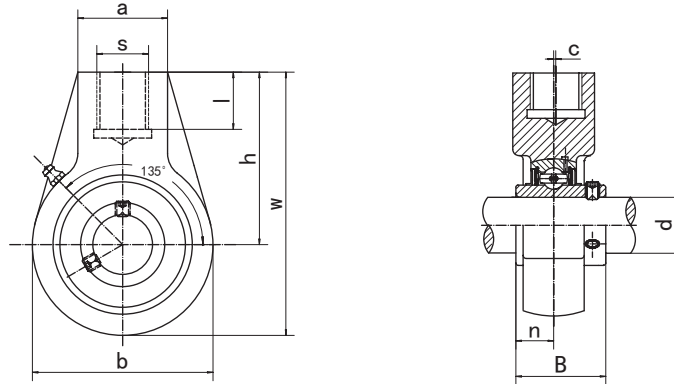


UCHA2 (Normal-duty)

Screw Conveyor Hanger Units



Unit NO.	Dimensions (mm / in.)										Bearing No.	Housing No.	Weight (kg)										
	d	h	w	b	c	a	s	l	B	n													
UCHA201 201-8	12 1/2	64	96	64	0	40	s	19.0	31.0	12.7	UC201	HA201	0.64										
201-8	UC201-8										0.63												
UCHA202 202-9	15 9/16										2-33/64		3-25/32	2-33/64	0	1-37/64	G-3/4	3/4	1 2205	0 500	UC202	HA202	0.63
202-10	5/8																				UC202-9		0.63
UCHA203 203-11	17 11/16	2-33/64	3-25/32	2-33/64	0	1-37/64	G-3/4	3/4	1 2205	0 500	UC203	HA203	0.62										
203-11	11/16										UC203-11		0.61										
UCHA204 204-12	20 3/4	2-33/64	3-25/32	2-33/64	0	1-37/64	G-3/4	3/4	1 3425	0 563	UC204	HA204	0.60										
204-12	3/4										UC204-12		0.60										
UCHA205 205-13	25 13/16	64	103	78	0	40	s	19.0	34.1	14.3	UC205	HA205	0.79										
205-13	13/16										UC205-13		0.83										
205-14	7/8										UC205-14		0.82										
205-15	15/16										UC205-15		0.80										
205-16	1	UC205-16	0.79																				
UCHA206 206-17	30 1-1/16	64	103	78	0	40	s	19.0	38.1	15.9	UC206	HA206	0.78										
206-17	1-1/16										UC206-17		0.79										
206-18	1-1/8										UC206-18		0.80										
206-19	1-3/16										UC206-19		0.78										
206-20	1-1/4	UC206-20	0.77																				
UCHA207 207-20	35 1-1/4	70	116	92	0	40	s	19.0	42.9	17.5	UC207	HA207	1.10										
207-20	1-1/4										UC207-20		1.16										
207-21	1-5/16										UC207-21		1.13										
207-22	1-3/8										UC207-22		1.10										
207-23	1-7/16	UC207-23	1.07																				
UCHA208 208-24	40 1-1/2	73	121	96	2.0	40	s	19.0	49.2	19.0	UC208	HA208	1.22										
208-24	1-1/2										UC208-24		1.26										
208-25	1-9/16	UC208-25	1.23																				
UCHA209 209-26	45 1-5/8	82	136	108	5.0	48	s	21.0	49.2	19.0	UC209	HA209	1.71										
209-26	1-5/8										UC209-26		1.81										
209-27	1-11/16										UC209-27		1.77										
209-28	1-3/4										UC209-28		1.73										
UCHA210 210-29	50 1-13/16	83	142	118	5.0	48	s	21.0	51.6	19.0	UC210	HA210	2.04										
210-29	1-13/16										UC210-29		2.16										
210-30	1-7/8										UC210-30		2.11										
210-31	1-15/16										UC210-31		2.06										
210-32	2	UC210-32	2.02																				
UCHA211 211-32	55 2	87	150	126	7.0	60	s	25.0	55.6	22.2	UC211	HA211	2.45										
211-32	2										UC211-32		2.60										
211-33	2-1/16										UC211-33		2.54										
211-34	2-1/8										UC211-34		2.50										
211-35	2-3/16	UC211-35	2.43																				
UCHA212 212-36	60 2-1/4	102	173	142	9.0	60	s	28.0	65.1	25.4	UC212	HA212	3.56										
212-36	2-1/4										UC212-36		3.69										
212-37	2-5/16										UC212-37		3.61										
212-38	2-3/8										UC212-38		3.54										
212-39	2-7/16	UC212-39	3.47																				
UCHA213 213-40	65 2-1/2	117	200	166	9.5	70	s	32.0	65.1	25.4	UC213	HA213	5.44										
213-40	2-1/2										UC213-40		5.53										
213-41	2-9/16	UC213-41	5.44																				
UCHA214 214-42	70 2-5/8	117	200	166	9.5	70	s	32.0	74.6	30.2	UC214	HA214	5.46										
214-42	2-5/8										UC214-42		5.67										
214-43	2-11/16										UC214-43		5.57										
214-44	2-3/4										UC214-44		5.47										
UCHA215 215-45	75 2-13/16	117	200	166	9.5	70	s	32.0	77.8	33.3	UC215	HA215	5.41										
215-45	2-13/16										UC215-45		5.41										
215-46	2-7/8										UC215-46		5.66										
215-47	2-15/16										UC215-47		5.55										
215-48	3	UC215-48	5.35																				