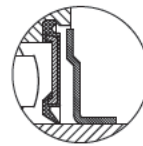
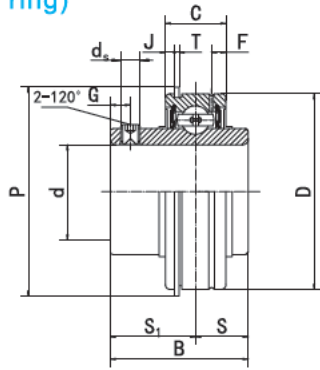


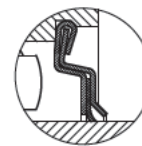
**Ball Bearings**  
 (with locating snap ring)



SL Dual seal  
(Standard)



L<sub>3</sub> Triple-lip seal  
(Optional)



F seal  
(Optional)

Bearing NO.	Dimensions ( mm / in. )												Dynamic load ratings (N)	Static load ratings (N)	Weight (kg)			
	d	D	B	C	S	S <sub>1</sub>	T	F	J	P	G	d <sub>s</sub>						
SER201 201-8	12 1/2	47	31	15.9	10.3	20.7	1.12	3.8	2.46	52.7	4.8	M6x1	12800	6600	0.22			
SER202 202-10	15 5/8	1.8504	1.2205	0.6260	0.406	0.815	0.044	0.150	0.097	2.075	0.189	1/4-28UNF						
SER203	17																	
SER204 204-12	20 3/4	47	31	15.9	10.3	20.7	1.12	3.8	2.46	52.7	4.8	M6x1	12800	6600	0.17			
SER205 205-13	25 13/16	52	34.9	19	13.1	21.8	1.12	5.2	2.46	57.9	5	M6x1						
205-14 205-15 205-16	7/8 15/16 1	2.0472	1.3740	0.7480	0.516	0.858	0.044	0.205	0.097	2.280	0.197	1/4-28UNF						
SER206 206-17 206-18 206-19 206-20	30 1-1/16 1-1/8 1-3/16 1-1/4	62	38.1	22.2	15.9	22.2	1.7	5.6	3.28	67.7	5	M6x1	19450	11250	0.33			
SER207 207-20 207-21 207-22 207-23	35 1-1/4 1-5/16 1-3/8 1-7/16	72	42.9	23.8	17.5	25.4	1.7	5.6	3.28	78.6	6.7	M8x1						
SER208 208-24 208-25	40 1-1/2 1-9/16	80	49.2	27.8	19	30.2	1.7	6.4	3.28	86.6	8	M8x1						
SER209 209-26 209-27 209-28	45 1-5/8 1-11/16 1-3/4	85	49.2	27.8	19	30.2	1.7	6.4	3.28	91.6	8	M8x1						
SER210 210-29 210-30 210-31 210-32	50 1-13/16 1-7/8 1-15/16 2	90	51.6	28.6	19	32.6	2.46	7.5	3.28	96.5	10	M10x1						
SER211 211-32 211-33 211-34 211-35	55 2 2-1/16 2-1/8 2-3/16	100	55.6	30.2	22.2	33.4	2.46	7.5	3.28	106.5	10	M10x1	43300	29200	1.10			
SER212 212-36 212-37 212-38 212-39	60 2-1/4 2-5/16 2-3/8 2-7/16	110	65.1	31.8	25.4	39.7	2.46	7.5	3.28	116.6	10	M10x1						