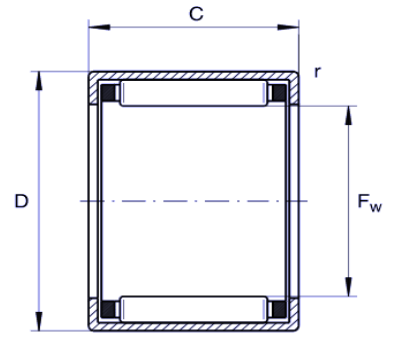




SCE SERIES

CAGED IMPERIAL DRAWN CUP NEEDLE ROLLER BEARINGS

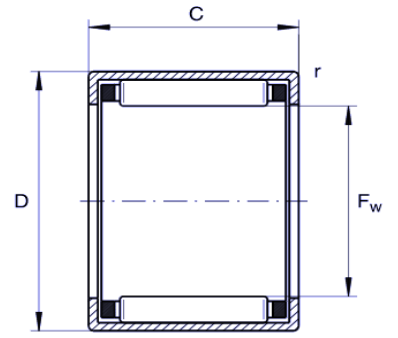


Shaft Diameter Inches	Bearing Part Number	Mass Approx	Boundary Dimensions			Basic Load Rating		Limiting Speed
			Fw	D	C	Dynamic	Static	Oil
		g	Inches			N		rpm
1/4	SCE44	0.0021	1/4	7/16	1/4	1602	1157	35000
	SCE45	0.0025	1/4	7/16	5/16	2536	2092	35000
	SCE47OH	0.0040	1/4	7/16	7/16	4000	3800	35000
5/16	SCE55	0.0030	5/16	1/2	5/16	2892	2625	29000
	SCE59OH	0.0060	5/16	1/2	9/16	5900	6450	29000
3/8	SCE65	0.0035	3/8	9/16	5/16	2892	2417	25000
	SCE66	0.0380	3/8	9/16	3/8	3900	3950	25000
	SCE68	0.0330	3/8	9/16	1/2	5200	5700	25000
	SCE69	0.0035	3/8	9/16	9/16	6200	7150	25000
	SCE610	0.0070	3/8	9/16	5/8	7250	8970	25000
7/16	SCE78OH	0.0070	7/16	5/8	1/2	6300	7600	21900
	SCE710	0.0100	7/16	5/8	5/8	8000	10500	21900
1/2	SCE85OH	0.0040	1/2	11/16	5/16	3450	3650	19000
	SCE86	0.0070	1/2	11/16	3/8	4590	5300	19000
	SCE87OH	0.0060	1/2	11/16	7/16	5918	7387	19000
	SCE88	0.0072	1/2	11/16	1/2	6897	9033	19000
	SCE810	0.0089	1/2	11/16	5/8	8811	12237	19000
	SCE812	0.0100	1/2	11/16	3/4	9850	14270	19000
9/16	SCE95	0.0049	9/16	3/4	5/16	4049	4717	19000
	SCE96	0.0059	9/16	3/4	3/8	5162	6408	19000
	SCE97	0.0069	9/16	3/4	7/16	5400	6700	19000
	SCE98	0.0079	9/16	3/4	1/2	7698	10769	19000
	SCE910	0.0990	9/16	3/4	5/8	9434	14017	19000
	SCE912	0.0117	9/16	3/4	3/4	10724	16465	19000
5/8	SCE105	0.0750	5/8	13/16	5/16	4200	5050	16000
	SCE107	0.0650	5/8	13/16	7/16	6500	9200	16000
	SCE108	0.0087	5/8	13/16	1/2	8743	12015	16000
	SCE1010	0.0108	5/8	13/16	5/8	10368	16242	16000
	SCE1012	0.0120	5/8	13/16	3/4	12015	19802	16000
	SCE1016	0.0173	5/8	7/8	1	19000	27300	16000
11/16	SCE116	0.0070	11/16	7/8	3/8	5740	7846	15000
	SCE118	0.0095	11/16	7/8	1/2	8450	13020	15000
	SCE1110	0.0118	11/16	7/8	5/8	10700	17720	15000
	SCE1112	0.0140	11/16	7/8	3/4	12000	20300	15000



SCE SERIES

CAGED IMPERIAL DRAWN CUP NEEDLE ROLLER BEARINGS

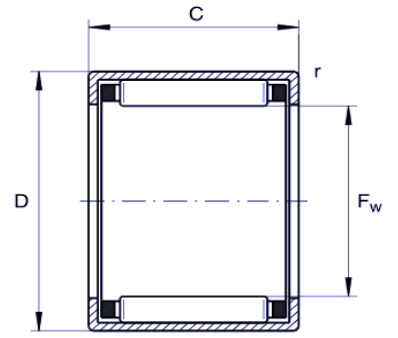


Shaft Diameter Inches	Bearing Part Number	Mass Approx	Boundary Dimensions			Basic Load Rating		Limiting Speed
			Fw	D	C	Dynamic	Static	Oil
		g	Inches			N		rpm
3/4	SCE126	0.0100	3/4	1	3/8	6400	6950	13000
	SCE128	0.0135	3/4	1	1/2	9900	12150	13000
	SCE1210	0.0170	3/4	1	5/8	12682	17577	13000
	SCE1212	0.0205	3/4	1	3/4	15352	22250	13000
13/16	SCE1314OH	0.0250	13/16	1.1/16	7/8	14500	23500	12000
7/8	SCE146	0.0110	7/8	1.1/8	3/8	7000	8200	11000
	SCE148	0.0115	7/8	1.1/8	1/2	10500	14000	11000
	SCE1412	0.0195	7/8	1.1/8	3/4	16910	27145	11000
	SCE1416	0.0195	7/8	1.1/8	1	25000	37000	11000
	SCE1416OH	0.0195	7/8	1.1/8	1	25000	37000	11000
1	SCE168	0.0135	1	1.1/4	1/2	12682	19135	10000
	SCE1612	0.0335	1	1.1/4	3/4	18022	30260	10000
	SCE1616	0.0195	1	1.1/4	1	24920	45390	10000
	SCE1616-2RS	0.0195	1	1.1/4	1	24920	45390	8000 (Grease)
1.1/8	SCE188OH	0.0210	1.1/8	1.3/8	1/2	12905	20247	9000
	SCE1812	0.0150	1.1/8	1.3/8	3/4	18912	33375	9000
	SCE1812OH	0.0320	1.1/8	1.3/8	3/4	18912	33375	9000
	SCE1816OH	0.0400	1.1/8	1.3/8	1	24920	45390	9000
1.1/4	SCE208OH	0.0220	1.1/4	1.1/2	1/2	12800	21400	7500
	SCE2010OH	0.0300	1.1/4	1.1/2	5/8	19850	31890	8000
	SCE2012OH	0.0370	1.1/4	1.1/2	3/4	21137	39605	8000
	SCE2016OH	0.0450	1.1/4	1.1/2	1	27145	54735	7500
	SCE2020OH	0.0560	1.1/4	1.1/2	1.1/4	43000	71800	7500
1.5/16	SCE2110OH	0.0370	1.5/16	1.5/8	5/8	20600	32700	7500
1.3/8	SCE228OH	0.0280	1.3/8	1.5/8	1/2	13500	22300	7500
	SCE2212OH	0.0390	1.3/8	1.5/8	3/4	21360	42720	7500
	SCE2216OH	0.0580	1.3/8	1.5/8	1	27590	59185	7500
	SCE2220OH	0.0810	1.3/8	1.5/8	1.1/4	32500	74000	7500
1.1/2	SCE248OH	0.0385	1.1/2	1.7/8	1/2	12700	17500	7500
	SCE2410OH	0.0485	1.1/2	1.7/8	5/8	17700	27000	7500
	SCE2412OH	0.0585	1.1/2	1.7/8	3/4	22000	35900	7500
	SCE2414OH	0.0690	1.1/2	1.7/8	7/8	26500	45300	7500
	SCE2416OH	0.0830	1.1/2	1.7/8	1	38715	66305	7500
	SCE2420	0.0975	1.1/2	1.7/8	1.1/4	49000	89300	6500



SCE SERIES

CAGED IMPERIAL DRAWN CUP NEEDLE ROLLER BEARINGS



Shaft Diameter Inches	Bearing Part Number	Mass Approx	Boundary Dimensions			Basic Load Rating		Limiting Speed
			Fw	D	C	Dynamic	Static	Oil
		g	Inches			N		rpm
1.5/8	SCE2610OH	0.0550	1.5/8	2	5/8	25500	40400	6000
	SCE2620OH	0.1100	1.5/8	2	1.1/4	49500	94800	6000
1.3/4	SCE2816OH	0.1150	1.3/4	2.1/8	1	41385	75650	6000
2	SCE328OH	0.0500	1.3/4	2.1/8	1/2	15200	24400	5000
	SCE3216OH	0.1020	1.3/4	2.1/8	1	41800	80500	5000

Suffix: OH = Relubrication oil hole on the outside