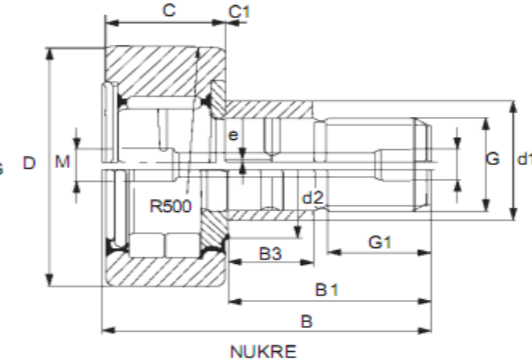
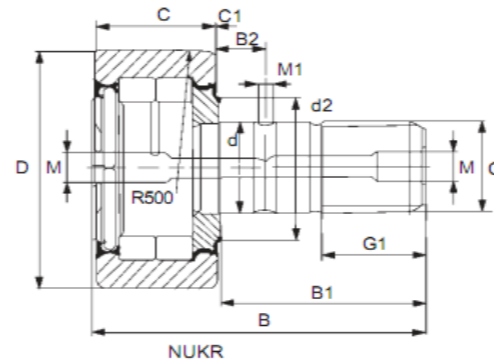
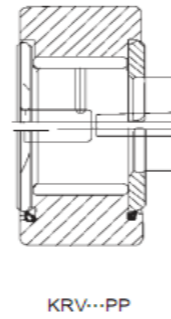
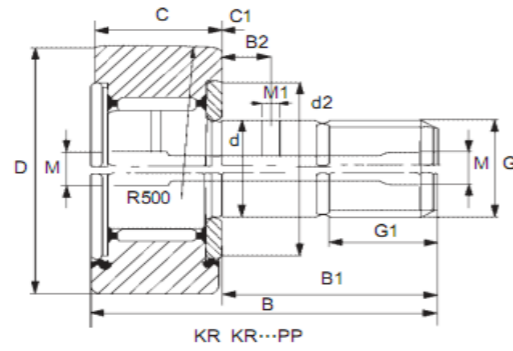


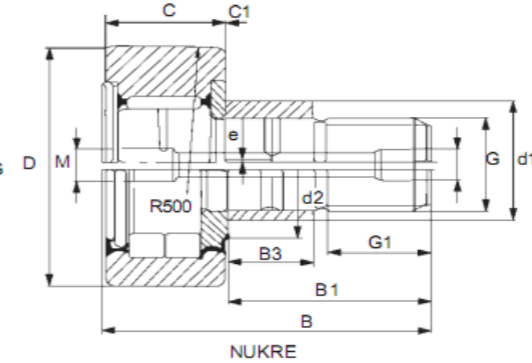
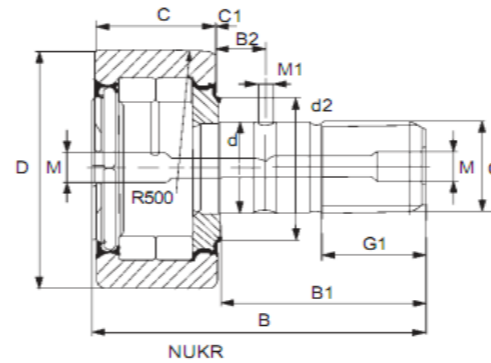
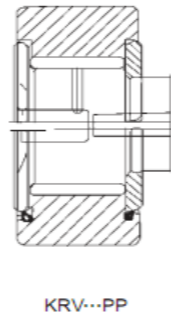
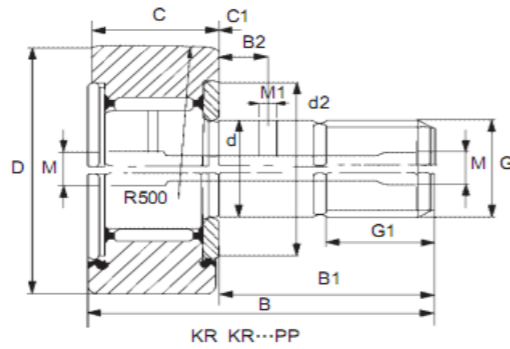
**KR / KRE / KRV / KRVE / NUKR / NUKRE Stud Type Track Roller Bearings
(With and without eccentric collars)**

Shaft Diameter mm	Bearing Designation			Boundary Dimensions															Nut tightening torque Nm	Load Ratings				Limiting Speed rpm
	With crowned outer (r500)	With crowned outer and eccentric sleeve	With Parallel outer	D	d	C	ra	B	B1	B2 (min)	G	G1	M	C1	d2	d1	B3	e		Dynamic	Static	Dynamic as a track roller Radial	Static as a track roller Radial	
				mm																				
16	KR16	KRE16	KR16X	16	6	11	0.15	28	16	-	M6	8	-	0.6	12	9	7	0.5	3	3800	3750	3150	3300	22000
	KR16PP	KRE16PP	KR16PPX	16	6	11	0.15	28	16	-	M6	8	-	0.6	12	9	7	0.5	3	3800	3750	3150	3300	16000
	KRV16	KRVE16	KRV16X	16	6	11	0.15	28	16	-	M6	8	-	0.6	12	9	7	0.5	3	6400	8500	4850	6500	8500
	KRV16PP	KRVE16PP	KRV16PPX	16	6	11	0.15	28	16	-	M6	8	-	0.6	12	9	7	0.5	3	6400	8500	4850	6500	8500
19	KR19	KRE19	KR19X	19	8	11	0.15	32	20	-	M8	10	-	0.6	14	11	9	0.5	8	4250	4600	3500	3900	20000
	KR19PP	KRE19PP	KR19PPX	19	8	11	0.15	32	20	-	M8	10	-	0.6	14	11	9	0.5	8	4250	4600	3500	3900	14000
	KRV19	KRVE19	KRV19X	19	8	11	0.15	32	20	-	M8	10	-	0.6	14	11	9	0.5	8	7300	10800	5500	7900	7000
	KRV19PP	KRVE19PP	KRV19PPX	19	8	11	0.15	32	20	-	M8	10	-	0.6	14	11	9	0.5	8	7300	10800	5500	7900	7000
22	KR22	KRE22	KR22X	22	10	12	0.3	36	23	-	M10x1	12	-	0.6	17	13	10	0.5	15	5700	6500	4450	5200	16000
	KR22PP	KRE22PP	KR22PPX	22	10	12	0.3	36	23	-	M10x1	12	-	0.6	17	13	10	0.5	15	5700	6500	4450	5200	11000
	KRV22	KRVE22	KRV22X	22	10	12	0.3	36	23	-	M10x1	12	-	0.6	17	13	10	0.5	15	8600	12900	6300	9100	6000
	KRV22PP	KRVE22PP	KRV22PPX	22	10	12	0.3	36	23	-	M10x1	12	-	0.6	17	13	10	0.5	15	8600	12900	6300	9100	6000
26	KR26	KRE26	KR26X	26	10	12	0.3	36	23	-	M10x1	12	-	0.6	17	13	10	0.5	15	5700	6500	5100	6200	16000
	KR26PP	KRE26PP	KR26PPX	26	10	12	0.3	36	23	-	M10x1	12	-	0.6	17	13	10	0.5	15	5700	6500	5100	6200	11000
	KRV26	KRVE26	KRV26X	26	10	12	0.3	36	23	-	M10x1	12	-	0.6	17	13	10	0.5	15	8600	12900	7300	11300	6000
	KRV26PP	KRVE26PP	KRV26PPX	26	10	12	0.3	36	23	-	M10x1	12	-	0.6	17	13	10	0.5	15	8600	12900	7300	11300	6000
30	KR30	KRE30	KR30X	30	12	14	0.6	40	25	6	M12x1.5	13	3	0.6	23	15	11	0.5	22	8100	9700	6800	8400	11000
	KR30PP	KRE30PP	KR30PPX	30	12	14	0.6	40	25	6	M12x1.5	13	3	0.6	23	15	11	0.5	22	8100	9700	6800	8400	8300
	KRV30	KRVE30	KRV30X	30	12	14	0.6	40	25	6	M12x1.5	13	3	0.6	23	15	11	0.5	22	12200	19000	9500	14600	4500
	KRV30PP	KRVE30PP	KRV30PPX	30	12	14	0.6	40	25	6	M12x1.5	13	3	0.6	23	15	11	0.5	22	12200	19000	9500	14600	4500
32	KR32	KRE32	KR32X	32	12	14	0.6	40	25	6	M12x1.5	13	3	0.6	23	15	11	0.5	22	8100	9700	7100	9000	11000
	KR32PP	KRE32PP	KR32PPX	32	12	14	0.6	40	25	6	M12x1.5	13	3	0.6	23	15	11	0.5	22	8100	9700	7100	9000	8300
	KRV32	KRVE32	KRV32X	32	12	14	0.6	40	25	6	M12x1.5	13	3	0.6	23	15	11	0.5	22	12200	19000	10000	15800	4500
	KRV32PP	KRVE32PP	KRV32PPX	32	12	14	0.6	40	25	6	M12x1.5	13	3	0.6	23	15	11	0.5	22	12200	19000	10000	15800	4500
35	KR35	KRE35	KR35X	35	16	18	0.6	52	32.5	8	M16x1.5	17	3	0.8	27	20	14	1	58	12900	19000	9700	14100	7000
	KR35PP	KRE35PP	KR35PPX	35	16	18	0.6	52	32.5	8	M16x1.5	17	3	0.8	27	20	14	1	58	12900	19000	9700	14100	7000
	KRV35	KRVE35	KRV35X	35	16	18	0.6	52	32.5	8	M16x1.5	17	3	0.8	27	20	14	1	58	18300	35000	12800	23000	3400
	KRV35PP	KRVE35PP	KRV35PPX	35	16	18	0.6	52	32.5	8	M16x1.5	17	3	0.8	27	20	14	1	58	18300	35000	12800	23000	3400
	NUKR35	NUKRE35	NUKR35X	35	16	18	0.6	52	32.5	8	M16x1.5	17	3	0.8	21	20	14	1	58	23000	27000	16000	18300	6500



KR / KRE / KRV / KRVE / NUKR / NUKRE Stud Type Track Roller Bearings (With and without eccentric collars)

Shaft Diameter mm	Bearing Designation			Boundary Dimensions															Nut tightening torque Nm	Load Ratings				Limiting Speed rpm
	With crowned outer (r500)	With crowned outer and eccentric sleeve	With Parallel outer	D	d	C	ra	B	B1	B2 (min)	G	G1	M	C1	d2	d1	B3	e		Dynamic	Static	Dynamic as a track roller Radial	Static as a track roller Radial	
				mm																				
40	KR40	KRE40	KR40X	40	18	20	1	58	36.5	8	M18x1.5	19	3	0.8	32	22	16	1	87	14200	20400	10900	15500	6000
	KR40PP	KRE40PP	KR40PPX	40	18	20	1	58	36.5	8	M18x1.5	19	3	0.8	32	22	16	1	87	14200	20400	10900	15500	6000
	KRV40	KRVE40	KRV40X	40	18	20	1	58	36.5	8	M18x1.5	19	3	0.8	32	22	16	1	87	21000	39500	14800	26500	2900
	KRV40PP	KRVE40PP	KRV40PPX	40	18	20	1	58	36.5	8	M18x1.5	19	3	0.8	32	22	16	1	87	21000	39500	14800	26500	2900
	NUKR40	NUKRE40	NUKR40X	40	18	20	1	58	36.5	8	M18x1.5	19	3	0.8	23	22	16	1	87	24800	31000	18500	22800	5500
47	KR47	KRE47	KR47X	47	20	24	1	66	40.5	9	M20x1.5	21	4	0.8	37	24	18	1	120	19500	32000	15500	25500	4900
	KR47PP	KRE47PP	KR47PPX	47	20	24	1	66	40.5	9	M20x1.5	21	4	0.8	37	24	18	1	120	19500	32000	15500	25500	4900
	KRV47	KRVE47	KRV47X	47	20	24	1	66	40.5	9	M20x1.5	21	4	0.8	37	24	18	1	120	28000	59000	20600	42000	2600
	KRV47PP	KRVE47PP	KRV47PPX	47	20	24	1	66	40.5	9	M20x1.5	21	4	0.8	37	24	18	1	120	28000	59000	20600	42000	2600
	NUKR47	NUKRE47	NUKR47X	47	20	24	1	66	40.5	9	M20x1.5	21	4	0.8	37	24	18	1	120	39000	50000	28000	34500	4200
52	KR52	KRE52	KR52X	52	20	24	1	66	40.5	9	M20x1.5	21	8	0.8	37	24	18	1	120	19500	32000	16800	38500	4900
	KR52PP	KRE52PP	KR52PPX	52	20	24	1	66	40.5	9	M20x1.5	21	8	0.8	37	24	18	1	120	19500	32000	16800	28500	4900
	KRV52	KRVE52	KRV52X	52	20	24	1	66	40.5	9	M20x1.5	21	8	0.8	37	24	18	1	120	28000	59000	22500	48000	2600
	KRV52PP	KRVE52PP	KRV52PPX	52	20	24	1	66	40.5	9	M20x1.5	21	8	0.8	37	24	18	1	120	28000	59000	22500	48000	2600
	NUKR52	NUKRE52	NUKR52X	52	20	24	1	66	40.5	9	M20x1.5	21	8	0.8	31	24	18	1	120	43500	60000	29000	37500	3400
62	KR62	KRE62	KR62X	62	24	29	1	80	49.5	11	M24x1.5	25	8	0.8	44	28	22	1	220	30500	53000	26500	47500	3800
	KR62PP	KRE62PP	KR62PPX	62	24	29	1	80	49.5	11	M24x1.5	25	8	0.8	44	28	22	1	220	30500	53000	26500	47500	3800
	KRV62	KRVE62	KRV62X	62	24	29	1	80	49.5	11	M24x1.5	25	8	0.8	44	28	22	1	220	41500	91000	34000	76000	2200
	KRV62PP	KRVE62PP	KRV62PPX	62	24	29	1	80	49.5	11	M24x1.5	25	8	0.8	44	28	22	1	220	41500	91000	34000	76000	2200
	NUKR62	NUKRE62	NUKR62X	62	24	29	1	80	49.5	11	M24x1.5	25	8	0.8	38	28	22	1	220	59000	79000	40500	51000	2600
72	KR72	KRE72	KR72X	72	24	29	1.1	80	49.5	11	M24x1.5	25	8	0.8	44	28	22	1	220	30500	53000	28000	53000	3800
	KR72PP	KRE72PP	KR72PPX	72	24	29	1.1	80	49.5	11	M24x1.5	25	8	0.8	44	28	22	1	220	30500	53000	28000	53000	3800
	KRV72	KRVE72	KRV72X	72	24	29	1.1	80	49.5	11	M24x1.5	25	8	0.8	44	28	22	1	220	41500	91000	37000	85000	2200
	KRV72PP	KRVE72PP	KRV72PPX	72	24	29	1.1	80	49.5	11	M24x1.5	25	8	0.8	44	28	22	1	220	41500	91000	37000	85000	2200
	NUKR72	NUKRE72	NUKR72X	72	24	29	1.1	80	49.5	11	M24x1.5	25	8	0.8	44	28	22	1	220	65000	93000	45000	61000	2100



KR / KRE / KRV / KRVE / NUKR / NUKRE Stud Type Track Roller Bearings (With and without eccentric collars)

Shaft Diameter mm	Bearing Designation			Boundary Dimensions															Nut tightening torque Nm	Load Ratings				Limiting Speed rpm
	With crowned outer (r500)	With crowned outer and eccentric sleeve	With Parallel outer	D	d	C	ra	B	B1	B2 (min)	G	G1	M	C1	d2	d1	B3	e		Dynamic	Static	Dynamic as a track roller Radial	Static as a track roller Radial	
				mm																				
80	KRV80	KRE80	KRV80X	80	30	35	1.1	100	63	15	M30x1.5	32	8	1	53	35	29	1.5	450	45000	85000	39500	77000	2600
	KR80PP	KRE80PP	KR80PPX	80	30	35	1.1	100	63	15	M30x1.5	32	8	1	53	35	29	1.5	450	45000	85000	39500	77000	2600
	KRV80	KRVE80	KRV80X	80	30	35	1.1	100	63	15	M30x1.5	32	8	1	53	35	29	1.5	450	60000	1420000	49500	1200000	1700
	KRV80PP	KRVE80PP	KRV80PPX	80	30	35	1.1	100	63	15	M30x1.5	32	8	1	53	35	29	1.5	450	60000	142000	49500	120000	1700
	NUKR80	NUKRE80	NUKR80X	80	30	35	1.1	100	63	15	M30x1.5	32	8	1	47	35	29	1.5	450	95000	133000	67000	93000	1800
85	KR85	KRE85	KR85X	85	30	35	1.1	100	63	15	M30x1.5	32	8	1	53	35	29	1.5	450	45000	85000	40500	80000	2600
	KR85PP	KRE85PP	KR85PPX	85	30	35	1.1	100	63	15	M30x1.5	32	8	1	53	35	29	1.5	450	45000	85000	40500	80000	2600
90	KR90	KRE90	KR90X	90	30	35	1.1	100	63	15	M30x1.5	32	8	1	53	35	29	1.5	450	45000	85000	41500	83000	2600
	KR90PP	KRE90PP	KR90PPX	90	30	35	1.1	100	63	15	M30x1.5	32	8	1	53	35	29	1.5	450	45000	85000	41500	83000	2600
	KRV90	KRVE90	KRV90X	90	30	35	1.1	100	63	15	M30x1.5	32	8	1	53	35	29	1.5	450	60000	142000	53000	130000	1700
	KRV90PP	KRVE90PP	KRV90PPX	90	30	35	1.1	100	63	15	M30x1.5	32	8	1	53	35	29	1.5	450	60000	142000	53000	130000	1700
	NUKR90	NUKRE 90	NUKR90X	90	30	35	1.1	100	63	15	M30x1.5	32	8	1	47	35	29	1.5	450	95000	133000	77000	110000	1800

KEY TO PART NUMBERS AND SUFFIXES ON STUD TYPE TRACK ROLLER BEARINGS

- KR SINGLE ROW STUD TYPE TRACK ROLLERS
- KRE SINGLE ROW STUD TYPE TRACK ROLLERS, WITH ECCENTRIC COLLAR
- KRV SINGLE ROW STUD TYPE TRACK ROLLERS, FULL COMPLIMENT
- KRE SINGLE ROW STUD TYPE TRACK ROLLERS, WITH ECCENTRIC COLLAR
- KRVE SINGLE ROW STUD TYPE TRACK ROLLERS, FULL COMPLIMENT, WITH ECCENTRIC COLLAR
- NUKR DOUBLE ROW STUD TYPE TRACK ROLLERS
- NUKRE DOUBLE ROW STUD TYPE TRACK ROLLERS, WITH ECCENTRIC COLLAR

SUFFIXES: PP = SEALED, X = PARALLEL OUTER, STANDARD NON X BEARINGS HAVE AN OUTER WITH AN R500 RADIUS

ALL NUKR / NUKRE SERIES BEARINGS SERIES HAVE 2 SEALS