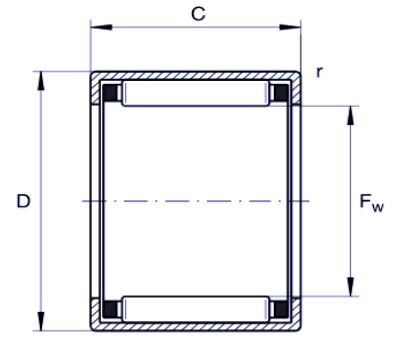




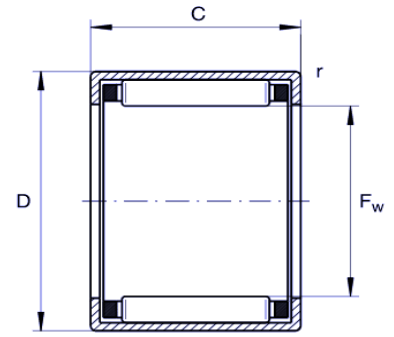
HK SERIES DRAWN CUP NEEDLE ROLLER BEARINGS



Shaft Diameter	Bearing Part Number	Mass Approx g	Boundary Dimensions			Basic Load Rating		Limiting Speed
			Fw	D	C	Dynamic	Static	Oil
			mm			N		rpm
3	HK0306	1.4	3	6.5	6	1320	950	45000
4	HK0408	1.6	4	8	8	1540	1070	40000
5	HK0509	2.0	5	9	9	2200	1790	36000
6	HK0606	1.9	6	10	6	1450	1200	32000
	HK0608	2.1	6	10	8	1830	1550	32000
	HK0609	2.2	6	10	9	2650	2400	30000
7	HK0708	2.2	7	11	8	2800	2150	27000
	HK0709	2.3	7	11	9	2800	2150	27000
8	HK0808	2.7	8	12	8	2550	2400	21000
	HK0810	3.0	8	12	10	3700	3450	21000
	HK0810-RS	3.0	8	12	10	2700	2500	17000
	HK0812	3.3	8	12	12	3320	3670	21000
	HK0812-2RS	3.3	8	12	12	2600	2450	17000
9	HK0908	3.0	9	13	8	3650	4050	25000
	HK0910	4.0	9	13	10	4050	4250	25000
	HK0912	4.6	9	13	12	5000	6000	25000
10	HK1010	4.1	10	14	10	3900	4800	19000
	HK1012	4.8	10	14	12	5000	6300	19000
	HK1012-RS	4.2	10	14	12	4350	4950	14000
	HK1014-2RS	4.6	10	14	14	4350	4950	14000
	HK1015	6.0	10	14	15	6700	7800	19000
12	HK1208	3.3	12	16	8	7200	8000	19000
	HK1210	4.6	12	16	10	4150	5800	19000
	HK121612	4.8	12	16	12	4500	6100	15000
	HK121620	9.4	12	16	20	6500	8550	15000
	HK121712	7.5	12	17	12	5100	7000	15000
	HK1212	5.6	12	18	12	5500	6300	15000
	HK1214-RS	10.0	12	18	14	5900	6350	12000
	HK1216	12.7	12	18	16	8350	10500	15000
	HK1216-2RS	11.0	12	18	16	5900	6350	12000
	HK121820	17.0	12	18	20	10500	13000	15000
13	HK1312	8.9	13	19	12	6200	7100	17000



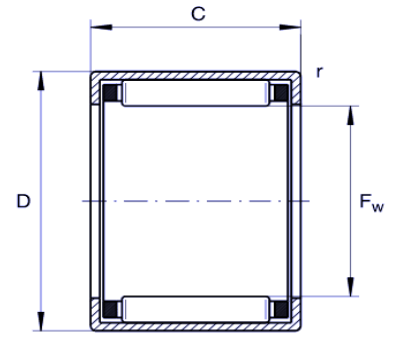
HK SERIES DRAWN CUP NEEDLE ROLLER BEARINGS



Shaft Diameter	Bearing Part Number	Mass Approx g	Boundary Dimensions			Basic Load Rating		Limiting Speed
			Fw	D	C	Dynamic	Static	Oil
			mm			N		rpm
14	HK1412	10.5	14	20	12	6800	7500	16000
	HK1414-RS	12.0	14	20	14	6600	7250	10000
	HK1416	13.9	14	20	16	7300	9000	14000
	HK1416-2RS	13.0	14	20	16	6800	8400	10000
15	HK1512	11.1	15	21	12	7000	8400	14000
	HK1514	12.7	15	21	14	8500	10400	13000
	HK1514-RS	12.0	15	21	14	7400	9700	9900
	HK1515	14.2	15	21	15	9100	11400	13000
	HK1516	15.5	15	21	16	9800	11400	14000
	HK1516-2RS	15.0	15	21	16	7400	9700	9900
	HK1518	17.0	15	21	18	10100	14800	14000
	HK1518-RS	16.0	15	21	18	10000	14400	9900
	HK1520-2RS	18.0	15	21	20	10000	14400	9900
	HK1522	20.4	15	21	22	10400	16500	14000
HK152212	12.5	15	22	12	14300	18400	13000	
16	HK1610	9.2	16	22	10	5800	8500	14000
	HK1612	11.7	16	22	12	7100	9200	14000
	HK1614	14.4	16	22	14	8800	9900	14000
	HK1614-RS	13.0	16	22	14	7300	9700	9000
	HK1616	15.8	16	22	16	10100	14300	14000
	HK1616-2RS	14.0	16	22	16	7300	9700	9000
	HK1620	19.8	16	22	20	10600	16000	14000
	HK1620-2RS	18.0	16	22	20	10000	15000	9000
	HK1622	21.7	16	22	22	11100	17400	14000
17	HK1712	12.2	17	23	12	6900	9300	14000
	HK1714	14.0	17	23	14	6800	10200	10000
	HK1718	19.0	17	23	18	9500	10600	10000
18	HK1812	13.1	18	24	12	7100	9900	12000
	HK1814	15.5	18	24	14	8800	12500	8000
	HK1814-RS	15.0	18	24	14	7800	10800	8000
	HK1816	17.5	18	24	16	10600	15300	12000
	HK1816-2RS	15.0	18	24	16	7800	10800	8000
	HK1818	19.6	18	24	18	12000	17000	12000



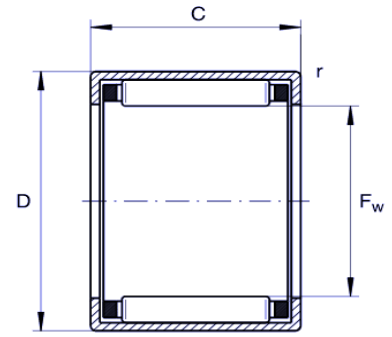
HK SERIES DRAWN CUP NEEDLE ROLLER BEARINGS



Shaft Diameter	Bearing Part Number	Mass Approx g	Boundary Dimensions			Basic Load Rating		Limiting Speed
			Fw	D	C	Dynamic	Static	Oil
			mm			N		rpm
20	HK2010	11.8	20	26	10	5900	7200	10000
	HK2012	14.1	20	26	12	7600	10100	10000
	HK2014	15.7	20	26	14	9700	12100	9000
	HK2016	19.3	20	26	16	11700	12500	10000
	HK2016-2RS	18.0	20	26	16	9800	24500	7600
	HK2018	23.3	20	26	18	7900	12800	9000
	HK2018-RS	21.0	20	26	18	12000	19500	7600
	HK2020	24.1	20	26	20	13700	24000	10000
	HK2020-2RS	23.0	20	26	20	12000	19500	7600
	HK2025	28.0	20	26	25	9100	14800	9900
	HK2030	41.0	20	26	30	21800	40000	10100
22	HK2210	12.3	22	28	10	7200	9500	10100
	HK2212	15.0	22	28	12	8100	10400	10100
	HK2214-RS	16.0	22	28	14	8700	13500	6800
	HK2214-2RS	15.5	22	28	14	7200	9500	6800
	HK2216	20.9	22	28	16	11400	18100	10100
	HK2216-2RS	18.0	22	28	16	8700	13500	6800
	HK2218	24.6	22	28	18	13000	21400	10100
	HK2218-RS	24.0	22	28	18	13200	22200	6800
	HK2220	26.2	22	28	20	14500	25000	10100
HK2220-2RS	26.2	22	28	20	13200	22200	6800	
25	HK2512	20.0	25	32	12	10000	14200	9000
	HK2516	27.3	25	32	16	13600	20000	9000
	HK2516-2RS	27.0	25	32	16	10700	15100	6000
	HK2518	28.2	25	32	18	17500	25800	9000
	HK2518-RS	27.8	25	32	18	10700	15100	6000
	HK2520	34.1	25	32	20	17900	30000	9000
	HK2520-2RS	31.0	25	32	20	15300	23700	6000
	HK2524	40.0	25	32	24	20950	36000	9000
	HK2524-2RS	39.6	25	32	24	19500	32700	6000
	HK2525	40.0	25	32	25	22200	38000	9000
	HK2526	44.8	25	32	26	22500	42000	9000
	HK2530	50.0	25	32	30	26000	46500	9000
	HK2530-2RS	50.0	25	32	30	23500	43000	6000
HK2538	64.7	25	32	38	30000	58000	9000	



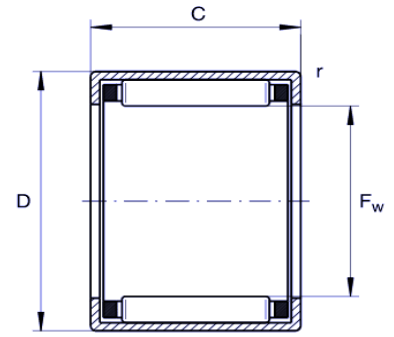
HK SERIES DRAWN CUP NEEDLE ROLLER BEARINGS



Shaft Diameter	Bearing Part Number	Mass Approx g	Boundary Dimensions			Basic Load Rating		Limiting Speed
			Fw	D	C	Dynamic	Static	Oil
			mm			N		rpm
28	HK2816	30.1	28	35	16	15400	22500	8700
	HK2818	31.7	28	35	18	18500	29300	8700
	HK2818-RS	31.0	28	35	18	15000	25200	5800
	HK2820	37.6	28	35	20	18900	32000	8700
	HK2820-2RS	34.0	28	35	20	15000	25200	5800
30	HK3012	24.0	30	37	12	10100	16200	8100
	HK3016	32.0	30	37	16	15200	27000	8100
	HK3016-2RS	31.0	30	37	16	12000	18500	5200
	HK3018	39.0	30	37	18	19200	31500	8100
	HK3018-RS	37.0	30	37	18	16700	28500	5200
	HK3020	39.0	30	37	20	19700	33500	8100
	HK3020-2RS	36.0	30	37	20	16700	28500	5200
	HK3022	42.0	30	37	24	21000	39000	8100
	HK3024	48.9	30	37	24	23000	45000	8100
	HK3024-2RS	44.0	30	37	24	21500	39000	5200
	HK3026	52.9	30	37	26	24000	50000	8100
	HK3030	0.6	30	37	30	27000	54000	8100
	HK3038	76.1	30	37	38	32500	74000	8100
HK303816	32.7	30	38	16	39000	82000	8100	
32	HK3224	50.7	32	39	24	25500	52000	7300
35	HK3512	27.7	35	40	12	12100	19300	7100
	HK3516	36.9	35	42	16	15700	27500	7100
	HK3516-2RS	32.0	35	42	16	12800	21000	4400
	HK3518	38.0	35	42	18	18500	35000	7100
	HK3518-RS	39.0	35	42	18	17900	33000	4400
	HK3520	46.1	35	42	20	20800	41000	7100
	HK3520-2RS	41.0	35	42	20	17900	33000	4400
	HK354316	36.9	35	43	16	13500	22000	7100
40	HK4012	31.1	40	47	12	14000	24300	6300
	HK4016	41.4	40	47	16	20000	38500	6300
	HK4016-2RS	41.4	40	47	16	14000	26000	3900
	HK4018	46.9	40	47	18	23000	45000	6300
	HK4018-RS	45.0	40	47	18	19500	38000	3900
	HK4020	51.8	40	47	20	25500	52000	6300
	HK4020-2RS	48.0	40	47	20	19500	38000	3900



HK SERIES DRAWN CUP NEEDLE ROLLER BEARINGS



Shaft Diameter	Bearing Part Number	Mass Approx	Boundary Dimensions			Basic Load Rating		Limiting Speed
			Fw	D	C	Dynamic	Static	Oil
		g	mm			N		rpm
45	HK4512	34.8	45	52	12	12900	22500	5800
	HK4516	46.2	45	52	16	19300	38000	5800
	HK4518	51.3	45	52	18	21000	44000	5800
	HK4518-RS	50.0	45	52	18	20800	42500	3500
	HK4520	56.0	45	52	20	22000	51000	5800
	HK4520-2RS	50.0	45	52	20	20800	42500	3500
50	HK5012	44.2	50	58	12	23600	57200	5300
	HK5020	72.0	50	58	20	28000	60000	5300
	HK5022-RS	76.0	50	58	22	29500	62500	3100
	HK5024	86.0	50	58	24	33000	76000	5300
	HK5024-2RS	81.0	50	58	24	29500	62500	3100
	HK5025	90.1	50	58	25	34500	80000	5300
55	HK5520	78.0	55	63	20	29500	59900	4600
	HK5525	109.0	55	63	25	33200	69980	4600
	HK5528	111.0	55	63	28	39090	98000	4600
60	HK6012	49.2	60	68	12	12400	29000	4100
	HK6020	86.0	60	68	20	30500	72000	4100
	HK6030	131.0	60	68	30	48000	12000	3300
	HK6032	136.0	60	68	32	51500	130000	3300

**Some sizes are available with rubber seals where shown.
Use suffix -RS for a single rubber seal or -2RS for 2 rubber Seals**