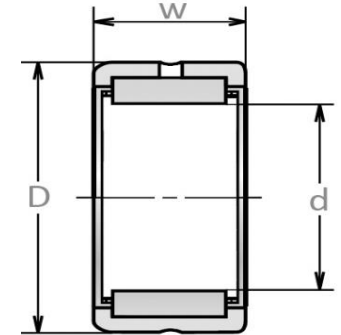




# HJ SERIES IMPERIAL NEEDLE ROLLER BEARINGS HEAVY DUTY SERIES



Part Number	Boundary Dimensions (inch, mm)						Basic Load Rating (N)		Limiting Speed (Oil) rpm	Weight (kg)
	d		D		W		Cr	Cor		
HJ101812	0.6250	15.875	1.1250	28.575	0.7500	19.05	18000	20000	30000	0.0550
HJ122012	0.7500	19.05	1.2500	31.75	0.7500	19.05	19000	23000	24000	0.0640
HJ122016	0.7500	19.05	1.2500	31.75	1.0000	25.4	26000	33000	24000	0.0770
HJ142212	0.7500	19.05	1.2500	31.75	1.0000	25.4	22000	27000	20000	0.0730
HJ142216	0.8750	22.225	1.3750	34.925	1.0000	25.4	29000	40000	20000	0.0950
HJ162412	1.0000	25.4	1.5000	38.1	0.7500	19.05	24000	32000	17000	0.0910
HJ162416	1.0000	25.4	1.5000	38.1	1.0000	25.4	32000	46000	17000	0.1050
HJ182616	1.1250	28.575	1.6250	41.275	1.0000	25.4	35000	53000	15000	0.1090
HJ182620	1.1250	28.575	1.6250	41.275	1.2500	31.75	43000	70000	15000	0.1450
HJ202816	1.2500	31.75	1.7500	44.45	1.0000	25.4	36000	57000	13000	0.1230
HJ202820	1.2500	31.75	1.7500	44.45	1.2500	31.75	44000	75000	13000	0.1550
HJ223016	1.3750	34.925	1.8750	47.625	1.0000	25.4	37000	63000	12000	0.1310
HJ223020	1.3750	34.925	1.8750	47.625	1.2500	31.75	47000	84000	12000	0.1640
HJ243316	1.5000	38.1	2.0625	52.3875	1.0000	25.4	45000	71000	11000	0.1860
HJ243320	1.5000	38.1	2.0625	52.3875	1.2500	31.75	55000	94000	11000	0.2140
HJ263516	1.6250	41.275	2.1875	55.5625	1.0000	25.4	46000	75000	10000	0.2090
HJ263520	1.6250	41.275	2.1875	55.5625	1.2500	31.75	57000	99000	10000	0.2320
HJ283716	1.7500	44.45	2.3125	58.7375	1.0000	25.4	47000	79000	9500	0.2140

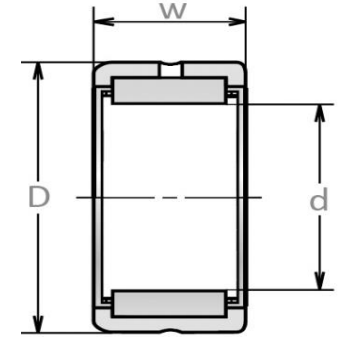
Imperial Inner Rings for this series are also available:



# HJ SERIES

## IMPERIAL NEEDLE ROLLER BEARINGS

### HEAVY DUTY SERIES



Part Number	Boundary Dimensions (inch, mm)						Basic Load Rating (N)		Limiting Speed (Oil) rpm	Weight (kg)
	d		D		W		Cr	Cor		
HJ283720	1.7500	44.45	2.3125	58.7375	1.2500	31.75	58000	104000	9500	0.2500
HJ303920	1.8750	47.625	2.4375	61.9125	1.2500	31.75	62000	114000	9000	0.2680
HJ324116	2.0000	50.8	2.5625	65.0875	1.0000	25.4	51000	90000	8500	0.2500
HJ324120	2.0000	50.8	2.5625	65.0875	1.2500	31.75	63000	119000	8500	0.2770
HJ364824	2.2500	57.15	3.0000	76.2	1.5000	38.1	86000	164000	7500	0.5140
HJ364828	2.2500	57.15	3.0000	76.2	1.7500	44.45	100000	198000	7500	0.6000
HJ405224	2.5000	63.5	3.2500	82.55	1.5000	38.1	93000	187000	6700	0.5590
HJ405228	2.5000	63.5	3.2500	82.55	1.7500	44.45	108000	223000	6700	0.6550
HJ445624	2.7500	69.85	3.5000	88.9	1.5000	38.1	97000	201000	6000	0.6180
HJ445628	2.7500	69.85	3.5000	88.9	1.7500	44.45	113000	243000	6000	0.7180
HJ486024	3.0000	76.2	3.7500	95.25	1.5000	38.1	103000	223000	5600	0.6950
HJ486028	3.0000	76.2	3.7500	95.25	1.7500	44.45	119000	271000	5600	0.7730
HJ526828	3.2500	82.55	4.2500	107.95	1.7500	44.45	156000	303000	5000	1.2000
HJ526832	3.2500	82.55	4.2500	107.95	2.0000	50.8	177000	354000	5000	1.2500
HJ567232	3.5000	88.9	4.5000	114.3	2.0000	50.8	181000	374000	4800	1.4450

Imperial Inner Rings for this series are also available: