

# GE-ES - SERIES METRIC PLAIN SPHERICAL BEARINGS (MAINTENANCE REQUIRED)

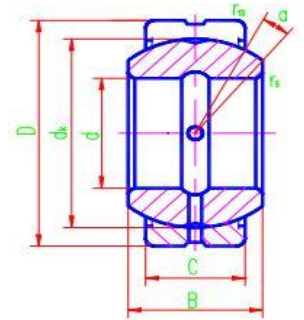


**Outer Ring and Ball:** 100Cr6 Bearing Steel, Hardened and Phosphated, sliding surface treated with MoS2

**Also available with Polyurethane Seals** - Add suffix -2RS

**Temperature Range:** Open design -50°C to +150°C / 2RS design -50°C to +130°C

**E version (12mm bore and under)** have a split outer ring with lubrication groove on the outer and raceway  
**ES version (15mm bore and over)** have a split outer ring with lubrication groove and hole on the outer and raceway



Part Number	Dimensions							Load Ratings		Weight (kg)	
	d	D	B	C	dk	rs	ris	a°	Dynamic		Static
GE4E	4	12	5	3	8	0.3	0.3	16	2	10	0.00
GE5E	5	14	6	4	10	0.3	0.3	13	3.3	17	0.01
GE6E	6	14	6	4	10	0.3	0.3	13	3.4	17	0.00
GE8E	8	16	8	5	13	0.3	0.3	15	5.5	27	0.01
GE10E	10	19	9	6	16	0.3	0.3	12	8.1	40	0.01
GE12E	12	22	10	7	18	0.3	0.3	10	10	53	0.02
GE15ES(-2RS)	15	26	12	9	22	0.3	0.3	8	16	84	0.03
GE17ES(-2RS)	17	30	14	10	25	0.3	0.3	10	21	106	0.04
GE20ES(-2RS)	20	35	16	12	29	0.3	0.3	9	30	146	0.07
GE25ES(-2RS)	25	42	20	16	35.5	0.6	0.6	7	48	240	0.12
GE30ES(-2RS)	30	47	22	18	40.7	0.6	0.6	6	62	310	0.15
GE35ES(-2RS)	35	55	25	20	47	0.6	1	6	79	399	0.23
GE40ES(-2RS)	40	62	28	22	53	0.6	1	7	99	495	0.31
GE45ES(-2RS)	45	68	32	25	60	0.6	1	7	127	637	0.43
GE50ES(-2RS)	50	75	35	28	66	0.6	1	6	156	780	0.55
GE60ES(-2RS)	55	85	40	32	74	0.6	1	7	200	1000	0.94
GE70ES(-2RS)	60	90	44	36	80	1	1	6	245	1220	1.04
GE80ES(-2RS)	70	105	49	40	92	1	1	6	313	1560	1.55
GE90ES(-2RS)	80	120	55	45	105	1	1	6	400	2000	2.31
GE100ES(-2RS)	90	130	60	50	115	1	1	5	488	2440	2.75
GE110ES(-2RS)	100	150	70	55	130	1	1	7	607	3030	4.45
GE120ES(-2RS)	110	160	70	55	140	1	1	6	654	3270	4.82
GE130ES(-2RS)	120	180	85	70	160	1	1	6	950	4750	8.05
GE140ES(-2RS)	140	210	90	70	180	1	1	7	1070	5350	11.02
GE160ES(-2RS)	160	230	105	80	200	1	1	8	1360	6800	14.01
GE180ES-2RS	180	260	105	80	225	1.1	1.1	6	1530	7650	18.65
GE200ES-2RS	200	290	130	100	250	1.1	1.1	7	2120	10600	28.03
GE220ES-2RS	220	320	135	100	275	1.1	1.1	8	2320	11600	35.51
GE240ES-2RS	240	340	140	100	300	1.1	1.1	8	2550	12700	39.91