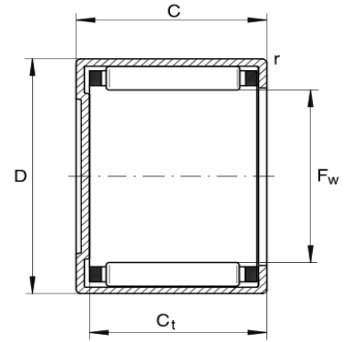




BK SERIES

DRAWN CUP NEEDLE BEARINGS WITH CLOSED END

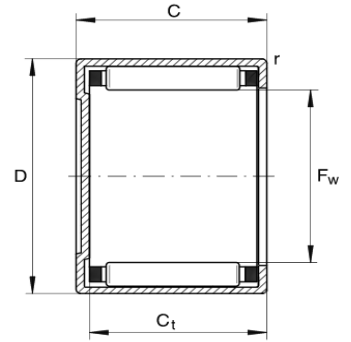


Shaft Diameter	Bearing Part Number	Mass Approx g	Boundary Dimensions			Basic Load Rating		Limiting Speed
			Fw	D	C	Dynamic	Static	Oil
			mm			N		rpm
3	BK0306	1.5	3	6.5	6	1320	950	6000
4	BK0408	1.8	4	8	8	1540	1070	40000
5	BK0509	2.1	5	9	9	2200	1790	36000
6	BK0609	2.6	6	10	9	2650	2400	30000
	BK0610	4.3	6	10	10	2750	2450	3000
8	BK0806	3	8	12	6	1750	1600	3000
	BK0808	3	8	12	8	2550	2400	21000
	BK0810	3.4	8	12	10	3700	3450	21000
9	BK0910	4.3	9	13	10	4050	4250	25000
	BK0912	4.9	9	13	12	5000	6000	25000
10	BK1010	4.3	10	14	10	3900	4800	19000
	BK1012	5	10	14	12	5000	6300	19000
	BK1015	6.2	10	14	15	6700	7800	19000
12	BK1210	5.2	12	16	10	4150	5800	19000
	BK121612	7.5	12	16	12	4500	6100	19000
	BK1212	10	12	18	12	4800	6500	15000
	BK1214	11.0	12	18	14	5600	7800	15000
13	BK1312	11.2	13	19	12	6200	7100	17000
14	BK1412	12.0	14	20	10	6800	7500	16000
15	BK1512	12.7	15	21	12	7000	8400	14000
	BK1515	15.3	15	21	15	9800	11400	14000
	BK1516	16.5	15	21	16	9800	11400	14000
	BK1522	22	15	21	22	10400	16500	14000
16	BK1612	13.8	16	22	12	7100	9200	14000
	BK1616	17.6	16	22	16	10100	14300	14000
	BK1622	23.4	16	22	22	11100	17400	14000
17	BK1712	14.5	17	23	12	6900	9300	13000
18	BK1812	14.9	18	24	12	7100	9900	12000
	BK1816	19.9	18	24	16	10600	15300	12000



BK SERIES

DRAWN CUP NEEDLE BEARINGS WITH CLOSED END



Shaft Diameter	Bearing Part Number	Mass Approx g	Boundary Dimensions			Basic Load Rating		Limiting Speed
			Fw	D	C	Dynamic	Static	Oil
			mm			N		rpm
20	BK2012	16.7	20	26	12	7600	10100	10000
	BK2016	22.3	20	26	16	11700	20500	10000
	BK2018	24.0	20	26	18	12600	21800	10000
	BK2020	27.1	20	26	20	13700	24000	10000
	BK2030	43	20	26	30	21800	40000	10100
22	BK2212	18.1	22	28	12	8100	10400	10100
	BK2216	24.3	22	28	16	11400	18100	10100
	BK2220	29.9	22	28	20	14500	25000	10100
25	BK2512	23.2	25	32	12	10000	14200	9000
	BK2516	31	25	32	16	13600	50000	9000
	BK2518	28.2	25	32	18	17500	25800	9000
	BK2520	38.7	25	32	20	17900	30000	9000
	BK2526	49	25	32	26	22500	42000	9000
	BK2530	56	25	32	30	26000	46500	9000
	BK2538	69	25	32	38	30000	58000	9000
28	BK2816	34.1	28	35	16	15400	22500	8700
	BK2820	43	28	35	20	18900	32000	8700
30	BK3012	27.9	30	37	12	10100	16200	8100
	BK3016	37.1	30	37	16	15200	27000	8100
	BK3020	46.5	30	37	20	19700	33500	8100
	BK3026	59.4	30	37	26	24000	50000	8100
	BK3038	82.5	30	37	38	32500	74000	8100
35	BK3512	32.9	35	42	12	12100	19300	7100
	BK3516	43.8	35	42	16	15700	27500	7100
	BK3520	54.8	35	42	20	20800	41000	7100
40	BK4012	38.2	40	47	12	14000	24300	6300
	BK4016	51	40	47	16	20000	38500	6300
	BK4020	62	40	47	20	25500	52000	6300
45	BK4516	56	45	52	16	19300	38000	5800
	BK4520	72	45	52	20	22000	51000	5800
50	BK5020	87.3	50	58	20	28000	60000	5300