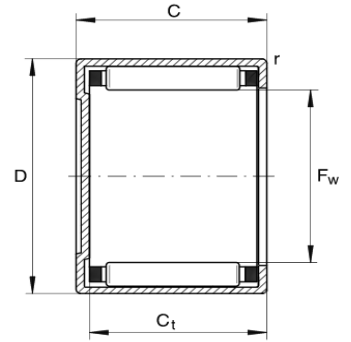




BCE SERIES

IMPERIAL DIMENSION DRAWN CUP NEEDLE ROLLER BEARINGS WITH CLOSED END



Shaft Diameter Inches	Bearing Part Number	Mass Approx	Boundary Dimensions			Basic Load Rating		Limiting Speed
			Fw	D	C	Dynamic	Static	Oil
		g	Inches			N		rpm
3/8	BCE66	0.0380	3/8	9/16	3/8	3900	3950	25000
	BCE610	0.0070	3/8	9/16	5/8	7250	8970	25000
1/2	BCE87	0.0060	1/2	11/16	7/16	5918	7387	19000
	BCE88	0.0072	1/2	11/16	1/2	6897	9033	19000
	BCE810	0.0089	1/2	11/16	5/8	8811	12237	19000
9/16	BCE95	0.0049	9/16	3/4	5/16	4049	4717	19000
	BCE96	0.0059	9/16	3/4	3/8	5162	6408	19000
	BCE97	0.0069	9/16	3/4	7/16	5400	6700	19000
	BCE98	0.0079	9/16	3/4	1/2	7698	10769	19000
	BCE910	0.0090	9/16	3/4	5/8	9434	14017	19000
	BCE912	0.0117	9/16	3/4	3/4	10724	16465	19000
5/8	BCE108	0.0087	5/8	13/16	1/2	8743	12015	16000
	BCE1010	0.0108	5/8	13/16	5/8	10368	16242	16000
	BCE1012	0.0120	5/8	13/16	3/4	12015	19802	16000
	BCE1016	0.0173	5/8	7/8	1	19000	27300	16000
11/16	BCE116	0.0070	11/16	7/8	3/8	5740	7846	15000
	BCE118	0.0095	11/16	7/8	1/2	8450	13020	15000
	BCE1110	0.0118	11/16	7/8	5/8	10700	17720	15000
	BCE1112	0.0140	11/16	7/8	3/4	12000	20300	15000
3/4	BCE126	0.0100	3/4	1	3/8	6400	6950	13000
	BCE128	0.0135	3/4	1	1/2	9900	12150	13000
	BCE1210	0.0170	3/4	1	5/8	12682	17577	13000
	BCE1212	0.0205	3/4	1	3/4	15352	22250	13000
1	BCE1612	0.0335	1	1.1/4	3/4	18022	30260	10000
	BCE1616	0.0195	1	1.1/4	1	24920	45390	10000