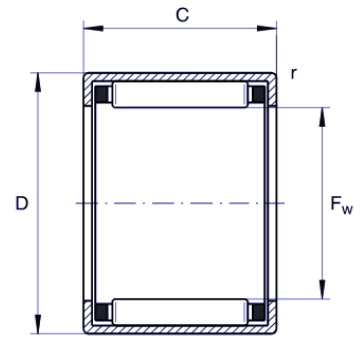




B SERIES

IMPERIAL DRAWN CUP NEEDLE ROLLER BEARINGS FULL COMPIMENT

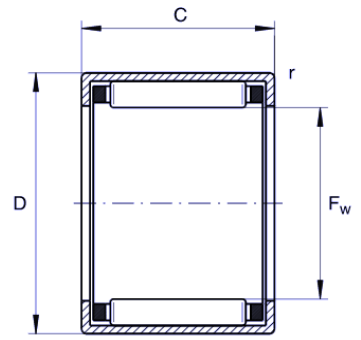


Shaft Diameter Inches	Bearing Part Number	Mass Approx	Boundary Dimensions			Basic Load Rating		Limiting Speed
			Fw	D	C	Dynamic	Static	Oil
		g	Inches			N		rpm
3/16	B24	0.0010	1/8	1/4	1/4	1730	1650	13000
	B34	0.0010	3/16	11/32	1/4	2200	2130	11000
	B36	0.0020	3/16	11/32	3/8	3720	4150	11000
1/4	B44	0.0220	1/4	7/16	1/4	2730	2590	10000
	B45	0.0030	1/4	7/16	5/16	3500	3630	10000
	B47	0.0040	1/4	7/16	7/16	5400	6310	10000
5/16	B55	0.0050	5/16	1/2	5/16	4020	4490	8300
	B56	0.0050	5/16	1/2	3/8	5140	6180	8300
3/8	B65	0.0040	3/8	9/16	5/16	4450	5400	7100
	B66	0.0050	3/8	9/16	3/8	5710	7430	7100
	B67	0.0060	3/8	9/16	7/16	6910	9460	7100
	B68	0.0330	3/8	9/16	1/2	7980	11500	7100
	B610	0.0090	3/8	9/16	5/8	10140	15570	7100
7/16	B76	0.0120	7/16	5/8	3/8	6220	8680	6300
	B78	0.0100	7/16	5/8	1/2	8770	13440	6300
	B710	0.0050	7/16	5/8	5/8	11010	18190	6300
1/2	B85	0.0070	1/2	11/16	5/16	5230	7210	5600
	B86	0.0067	1/2	11/16	3/8	6690	9850	5600
	B87	0.0079	1/2	11/16	7/16	8120	12660	5600
	B88	0.0091	1/2	11/16	1/2	9370	15280	5600
	B810	0.0089	1/2	11/16	5/8	11880	20710	5600
	B812	0.0139	1/2	11/16	3/4	14310	26240	5600
9/16	B95	0.0090	9/16	3/4	5/16	5620	8120	5000
	B96	0.0090	9/16	3/4	3/8	7170	11110	5000
	B98	0.0100	9/16	3/4	1/2	10040	17220	5000
	B910	0.0127	9/16	3/4	5/8	12760	23330	5000
	B912	0.0140	9/16	3/4	3/4	15280	29440	5000



B SERIES

IMPERIAL DRAWN CUP NEEDLE ROLLER BEARINGS FULL COMPIMENT

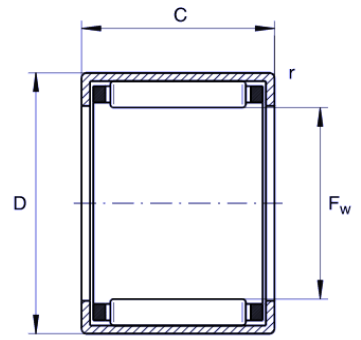


Shaft Diameter Inches	Bearing Part Number	Mass Approx g	Boundary Dimensions			Basic Load Rating		Limiting Speed
			Fw	D	C	Dynamic	Static	Oil
			Inches			N		rpm
5/8	B105	0.0060	5/8	13/16	5/16	5970	9020	4500
	B107	0.0090	5/8	13/16	7/16	9160	15760	4500
	B108	0.0120	5/8	13/16	1/2	10620	19160	4500
	B1010	0.0120	5/8	13/16	5/8	13440	25950	4500
	B1012	0.0120	5/8	13/16	3/4	16150	32740	4500
11/16	B116	0.0150	11/16	7/8	3/8	7980	13630	4200
	B118	0.0120	11/16	7/8	1/2	11210	21100	4200
	B1110	0.0140	11/16	7/8	5/8	14210	28570	4200
	B1112	0.0230	11/16	7/8	3/4	16930	36040	4200
3/4	B126	0.0120	3/4	1	3/8	9460	13240	5600
	B128	0.0135	3/4	1	1/2	13730	21390	5600
	B1210	0.0225	3/4	1	5/8	17700	29440	5600
	B1212	0.0205	3/4	1	3/4	21290	37590	5600
13/16	B138	0.0190	13/16	1.1/16	1/2	14410	23140	5200
	B1314	0.0290	13/16	1.1/16	7/8	25950	49710	5200
7/8	B146	0.0140	7/8	1	3/8	10240	15380	4800
	B148	0.0115	7/8	1.1/8	1/2	14990	24880	4800
	B1412	0.0155	7/8	1.1/8	3/4	23230	44090	4800
	B1416	0.0420	7/8	1.1/8	1	30700	63000	4800
15/16	B1516	0.0410	15/16	1.1/8	1	31870	67370	4500
1	B166	0.0160	1	1.1/4	3/8	11010	17610	4300
	B168	0.0230	1	1.1/4	1/2	16060	28470	4300
	B1612	0.0165	1	1.1/4	3/4	24980	50100	4300
	B1616	0.0470	1	1.1/4	1	32930	72120	4300
1.1/8	B188	0.0260	1.1/8	1.3/8	1/2	17120	32060	3800
	B1812	0.0150	1.1/8	1.3/8	3/4	26530	56600	3800
	B1816	0.0170	1.1/8	1.3/8	1	35160	81140	3800
1.1/16	B1916	0.0640	1.3/16	1.1/2	1	38850	81140	4400



B SERIES

IMPERIAL DRAWN CUP NEEDLE ROLLER BEARINGS FULL COMPIMENT



Shaft Diameter Inches	Bearing Part Number	Mass Approx g	Boundary Dimensions			Basic Load Rating		Limiting Speed
			Fw	D	C	Dynamic	Static	Oil
			Inches			N		rpm
1.1/4	B2010	0.0320	1.1/4	1.1/2	5/8	23230	49230	3500
	B2012	0.0430	1.1/4	1.1/2	3/4	23230	49230	3500
	B2016	0.0200	1.1/4	1.1/2	1	28080	62620	3500
	B2020	0.0670	1.1/4	1.1/2	1.1/4	37100	89780	3500
1.3/8	B228	0.0280	1.3/8	1.5/8	1/2	18970	39240	3200
	B2212	0.0460	1.3/8	1.5/8	3/4	29540	69110	3200
	B2216	0.0570	1.3/8	1.5/8	1	39040	98990	3200
	B2220	0.0780	1.3/8	1.5/8	1.1/4	47970	129060	3200
1.1/2	B248	0.0570	1.1/2	1.7/8	1/2	21680	36040	4300
	B2410	0.0600	1.1/2	1.7/8	5/8	28960	52240	4300
	B2414	0.0830	1.1/2	1.7/8	7/8	42250	85020	4300
	B2416	0.0960	1.1/2	1.7/8	1	48360	99960	4300
	B2420	0.3500	1.1/2	1.7/8	1.1/4	60000	133910	4300
1.5/8	B268	0.0510	1.5/8	2	1/2	22170	38070	3900
	B2610	0.0640	1.5/8	2	5/8	29730	55730	3900
	B2616	0.1030	1.5/8	2	1	50100	108690	3900
	B2620	0.5000	1.5/8	2	1.1/4	62130	144580	3900
1.3/4	B2812	0.0840	1.3/4	2.1/8	3/4	38170	79010	3700
	B2816	0.1190	1.3/4	2.1/8	1	51850	117420	3700
	B2820	0.1370	1.3/4	2.1/8	1.1/4	76390	193080	3700
	B2824	0.2240	1.3/4	2.1/8	1.1/2	76390	193080	3700
1.7/8	B308	0.0590	1.7/8	2.1/4	1/2	24400	44960	3500
	B3012	0.0880	1.7/8	2.1/4	3/4	40310	85900	3500
	B3016	0.1170	1.7/8	2.1/4	1	54370	126150	3500
2	B3216	0.1300	2	2.3/8	1	55730	133910	3300
	B3220	0.1550	2	2.3/8	1.1/4	69500	177560	3300
	B3228	0.2170	2	2.3/8	1.3/4	94530	264860	3300
2.1/4	B3612	0.1320	2.1/4	2.5/8	3/4	44480	101900	3000
	B3624	0.2070	2.1/4	2.5/8	1.1/2	89390	249340	3000
2.5/8	B4216	0.1590	2.5/8	3	1	64750	176590	2500
2.3/4	B4416	0.1660	2.3/4	3.1/8	1	66980	184350	2500